

# SIRRO 1.0

04-Jan.-2019

## 1.0 LED - ceiling surfaced

LED 10W | 220-240VAC | 50-60Hz | COB 3-step | incl. PS | phase-cut dim

CE IP20 (0,3m) (36°) 35°/35° 355°

white texture	139164W
white texture + black	139164E
aluminium brushed + black	139164F
black texture	139164B

### LIGHT COLOUR

2700K   >90CRI   590lm	3
3000K   >90CRI   640lm	5
1800-2850K   >95CRI   440lm	9

## 1.0 PAR16 - ceiling surfaced

PAR16 max. 35W | GU10 | 100-240VAC | 50-60Hz

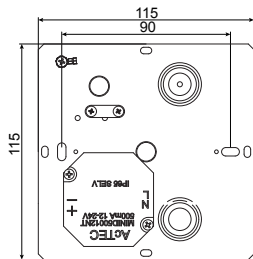
CE IP20 (0,9m) (35°/35°) 355°

white texture	139120W0
white texture + black	139120E0
aluminium brushed + black	139120F0
black texture	139120B0

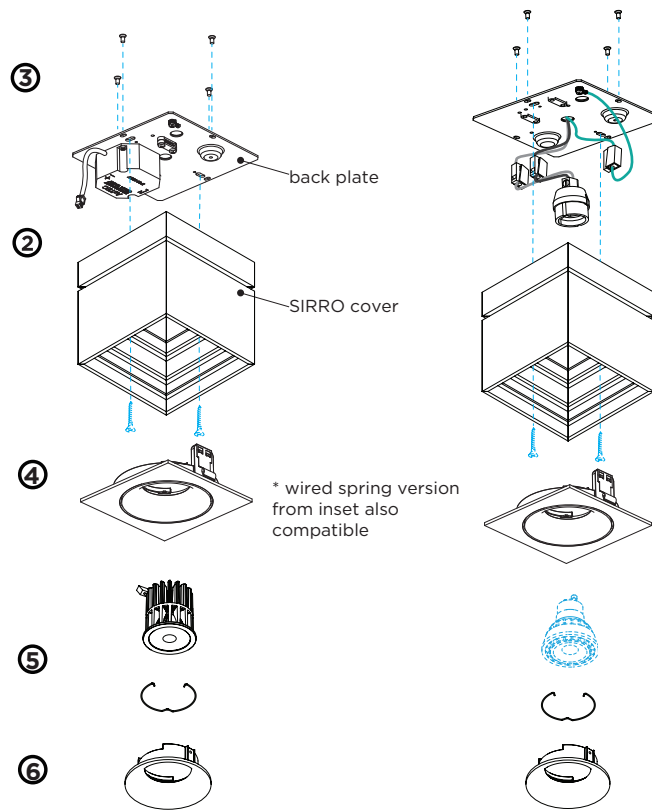
### OPTIONAL

for PAR16 lamps see our catalogue

back plate dimensions

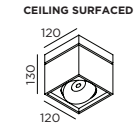


## CEILING SURFACED



\* wired spring version from inset also compatible

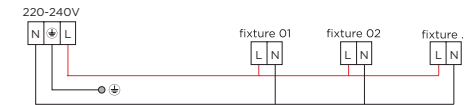
## DIMENSIONS



## MOUNTING INSTRUCTION

### POWER CONNECTION

- 1 PARALLEL CONNECTION - for LED and PAR16



- 2 Attach the back plate to the SIRRO cover with the 4 screws.
- 3 Mount the back plate on the ceiling.
- 4 Insert the outer part of the inset module into the SIRRO cover
- 5 Insert the lamp into the inner part of the inset module
- 6 Click the inner part of the inset module into the outer part



### CAUTION: NO HOT PLUGGING!

Before connecting the luminaire the converter needs to be disconnected from the power supply. If this instruction is disregarded the luminaire might be damaged or destroyed.

# SIRRO 1.0

04-Jan.-2019

## 1.0 LED - suspended

LED 10W | 220-240VAC | 50-60Hz | COB 3-step | incl. PS | phase-cut dim

CE IP20 0.3m 36° 35°/35° 355°

white texture	139564W
white texture + black	139564E
aluminium brushed + black	139564F
black texture	139564B

### LIGHT COLOUR

2700K   >90CRI   590lm	3
3000K   >90CRI   640lm	5
1800-2850K   >95CRI   440lm	9

## 1.0 PAR16 - suspended

PAR16 max. 35W | GU10 | 100-240VAC | 50-60Hz

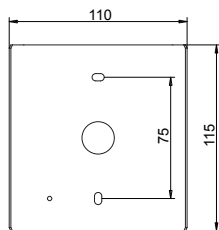
CE IP20 0.9m 35°/35° 355°

white texture	139520W0
white texture + black	139520E0
aluminium brushed + black	139520F0
black texture	139520B0

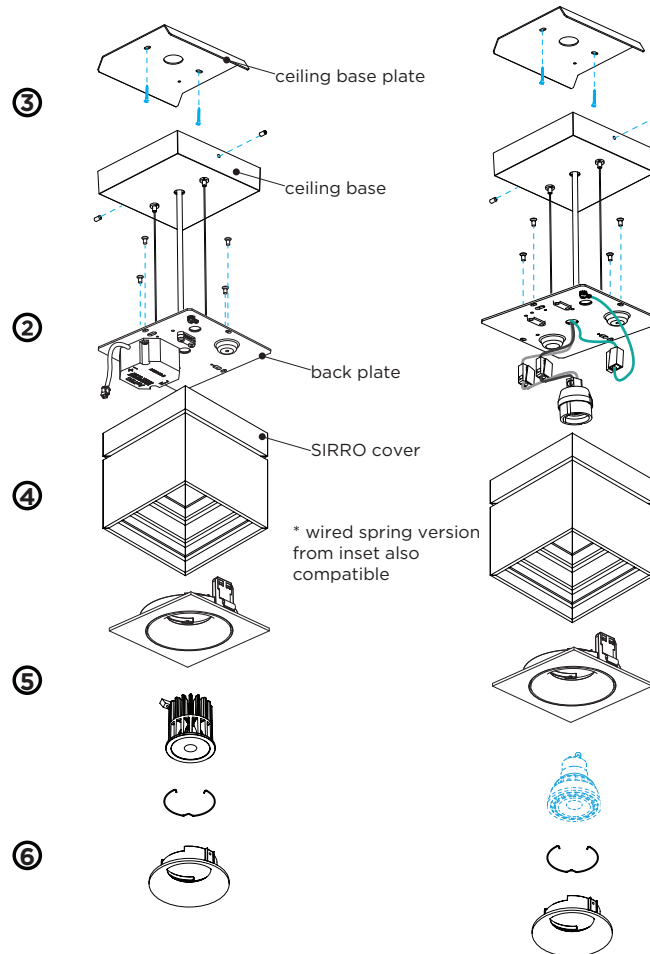
### OPTIONAL

for PAR16 lamps see our catalogue

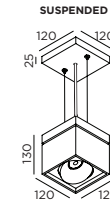
ceiling base plate dimension:



## SUSPENDED



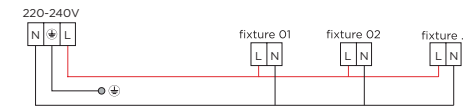
## DIMENSIONS



## MOUNTING INSTRUCTION

### POWER CONNECTION

- 1 PARALLEL CONNECTION - for LED and PAR16



- 2 Attach the back plate to the SIRRO cover with the 4 screws.
- 3 Mount the ceiling base plate on the ceiling, and lock the ceiling base on its plate with the two allen screws.
- 4 Insert the outer part of the inset module into the SIRRO cover
- 5 Insert the lamp into the inner part of the inset module
- 6 Click the inner part of the inset module into the outer part



### CAUTION: NO HOT PLUGGING!

Before connecting the luminaire the converter needs to be disconnected from the power supply. If this instruction is disregarded the luminaire might be damaged or destroyed.