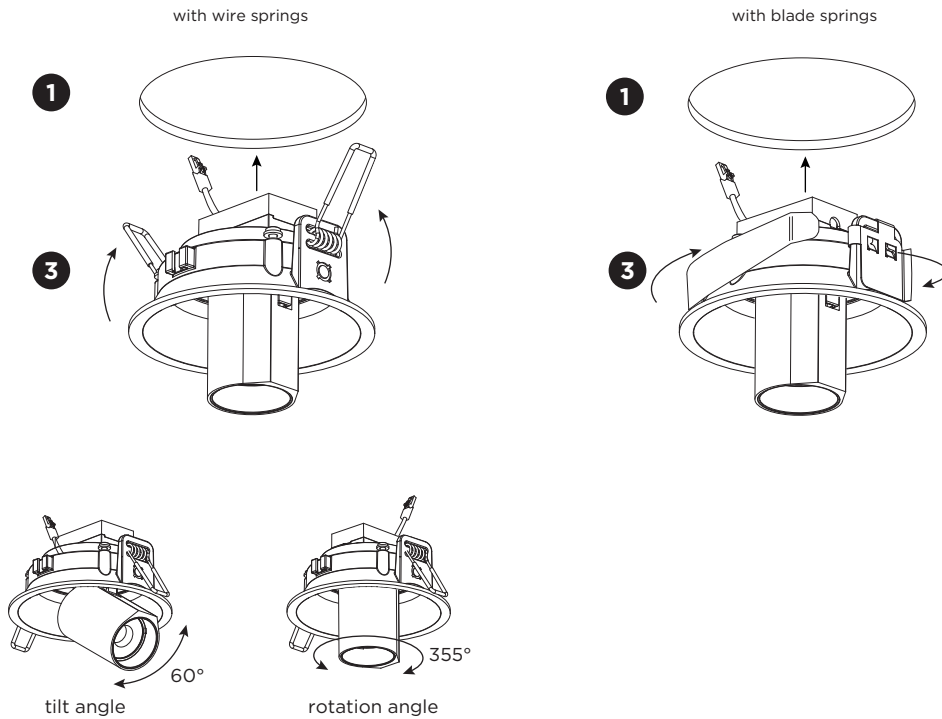


BLIEK ROUND petit 1.0

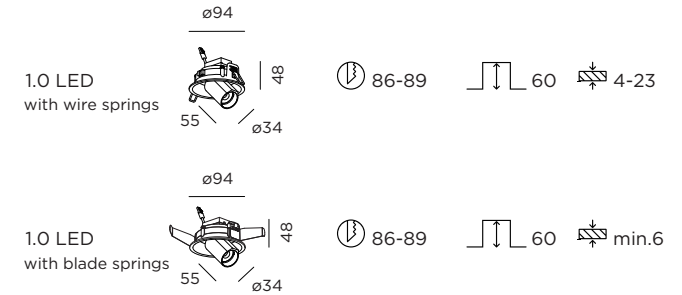
INSTALLATION INSTRUCTIONS | NOVEMBER 2022



! Before connecting the luminaire/LED module to the driver please make sure the driver is not powered but disconnected from the mains. The driver can only be powered when the luminaire/LED module is already connected. Disregarding this instruction might damage or even destroy the luminaire/LED module.

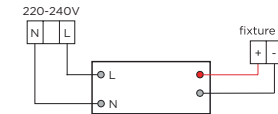
Driver must be powered off before connecting cables.

DIMENSIONS

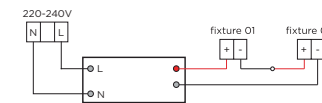


MOUNTING INSTRUCTION

- 1 Make a hole in the ceiling according to the prescribed dimensions.
- 2 **POWER CONNECTION**
Always use a driver according to the specifications of the LED module.



SERIAL CONNECTION

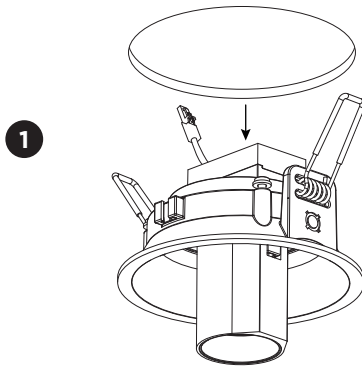


- 3 For wire spring version: push the springs up and insert the fixture in the ceiling hole.
For blade spring version: press the springs close to the fixture and insert the fixture in the ceiling hole.

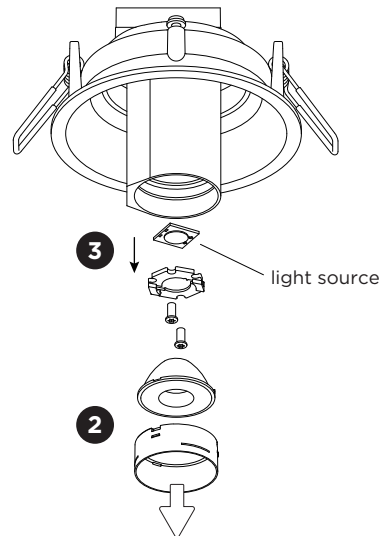
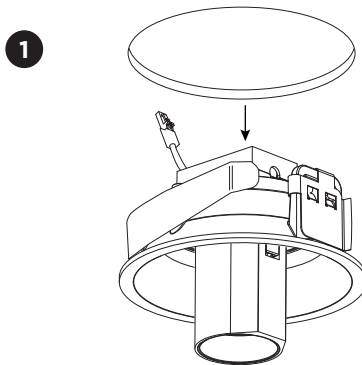
BLIEK ROUND petit 1.0

INSTALLATION INSTRUCTIONS | NOVEMBER 2022

with wire springs



with blade springs



DISMOUNTING AND RECYCLING INSTRUCTIONS

Light source

- 1 Take the luminaire out of the ceiling hole and disconnect the wires.
- 2 Dismount the lens holder and lens.
- 3 Unscrew the holder to remove the light source.



The light source is replaceable by an authorized professional.
For advice contact your Wever & Ducre customer service contact point.



This luminaire contains a light source with the energy class E.