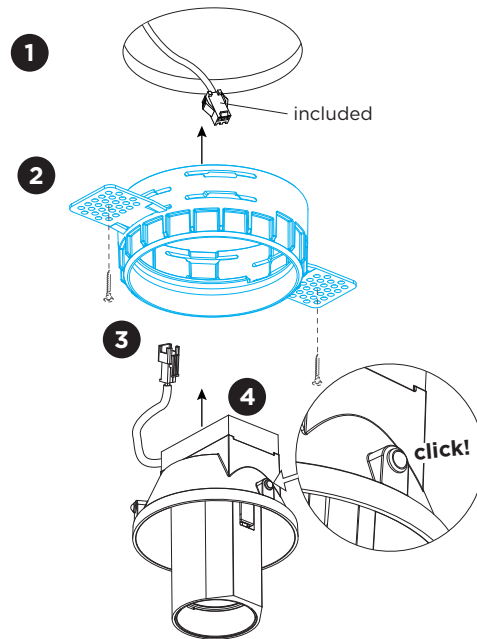
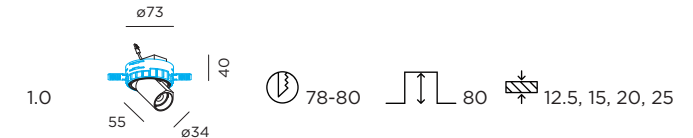


BLIEK petit trimless

INSTALLATION INSTRUCTIONS | JULY 2023



DIMENSIONS

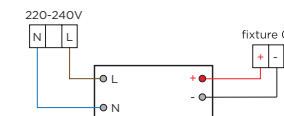


MOUNTING INSTRUCTION

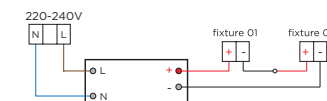
- 1 Make a hole in the ceiling according to the prescribed dimensions.
- 2 Install the plasterkit into the hole, screws are not included (please see the page 2 for the detail).
- 3 POWER CONNECTION

LED Always use a driver according to the specifications of the LED module.

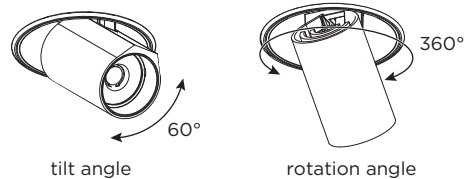
Single connection



Multiple connection

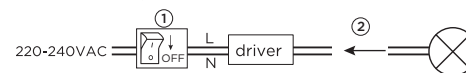


- 4 Push the luminaire in the plasterkit hole.



Driver must be powered off before connecting cables.

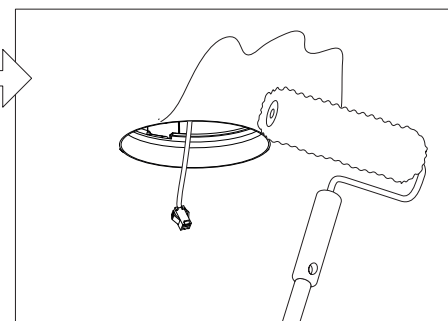
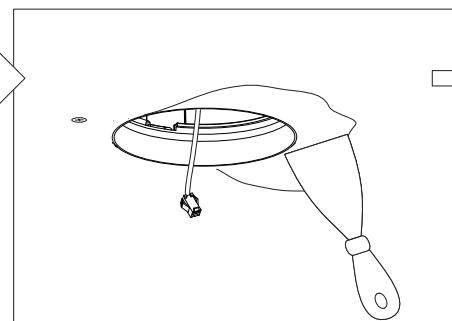
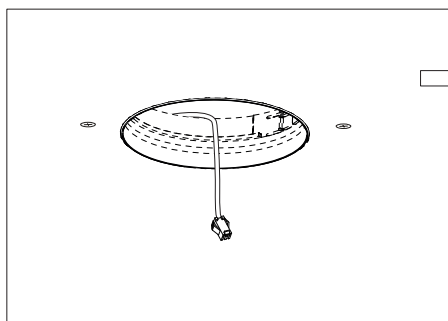
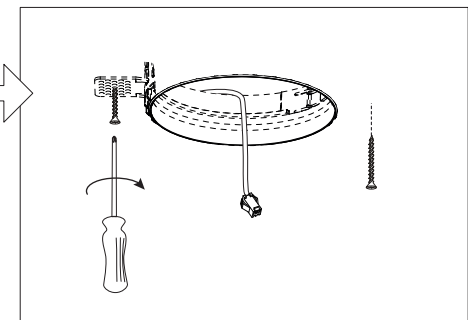
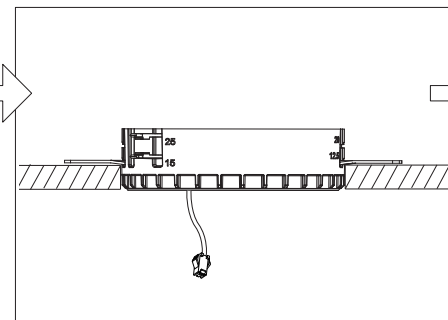
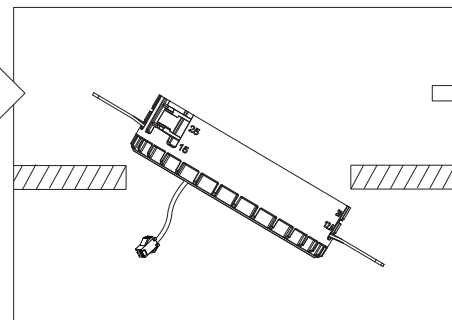
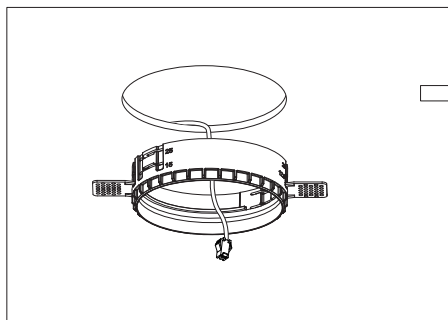
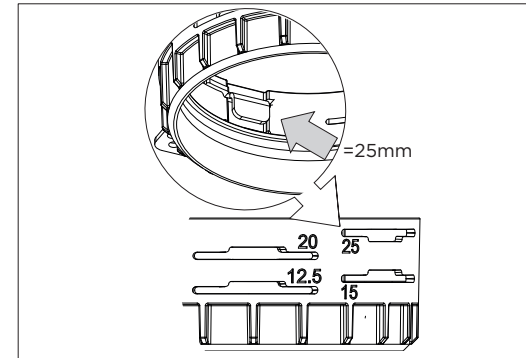
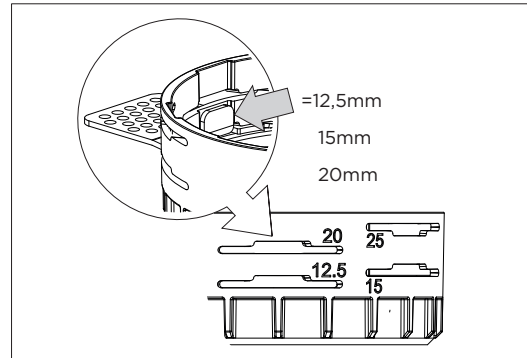
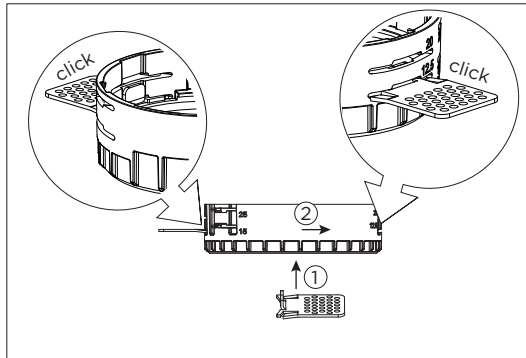
Before connecting the luminaire/LED module to the driver please make sure the driver is not powered but disconnected from the mains. The driver can only be powered when the luminaire/LED module is already connected. Disregarding this instruction might damage or even destroy the luminaire/LED module.



BLIEK petit trimless

INSTALLATION INSTRUCTIONS | JULY 2023

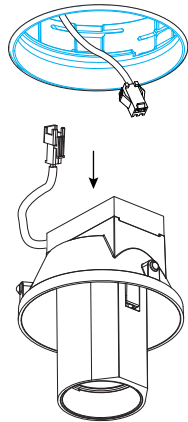
Install the plasterkit into the ceiling hole.



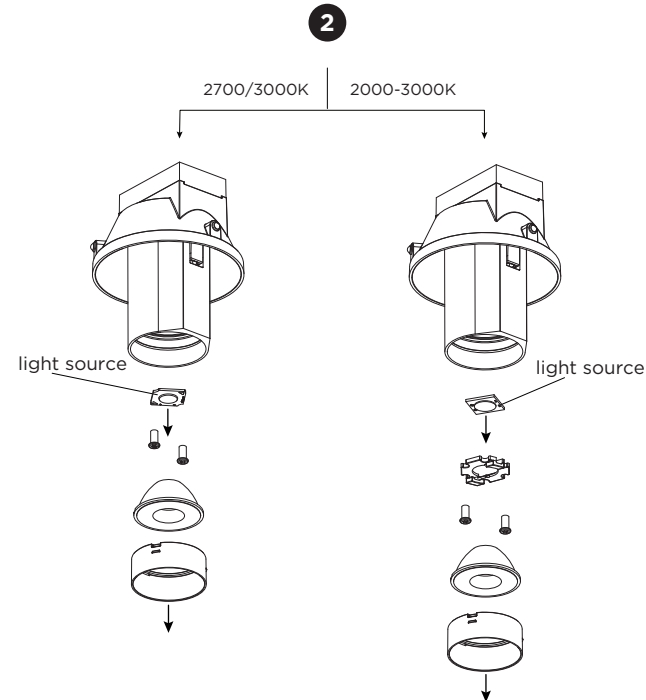
BLIEK petit trimless

INSTALLATION INSTRUCTIONS | JULY 2023

1



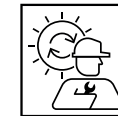
2



DISMOUNTING AND RECYCLING INSTRUCTIONS

Light source

- 1 Take the luminaire out of the ceiling hole and unplug the cable.
- 2 Dismount the lens holder and all parts behind to remove the light source.



The light source is replaceable by an authorized professional.
For advice contact your Wever & Ducré customer service contact point.

Every luminaire contains a light source with the corresponding energy class:

colour temperature	Energy class
2700K/3000K	A ↑ G E
2000-3000K	A ↑ G G