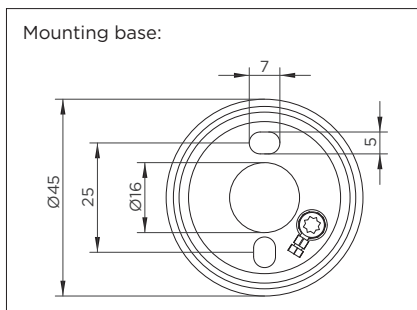
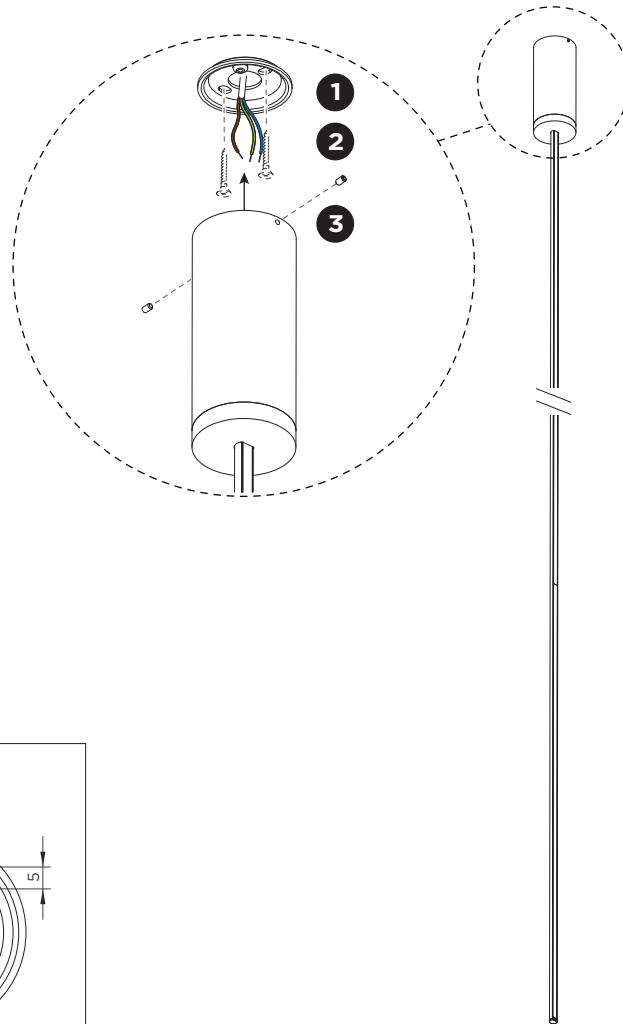
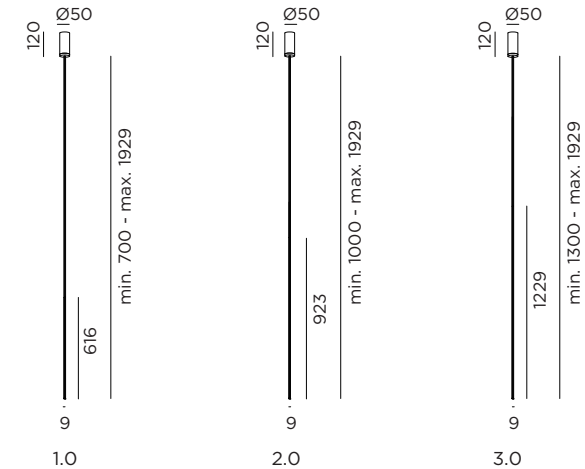


FINLIN CEILING SURFACE

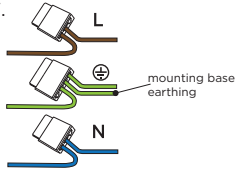
INSTALLATION INSTRUCTIONS | NOVEMBER 2023



DIMENSIONS



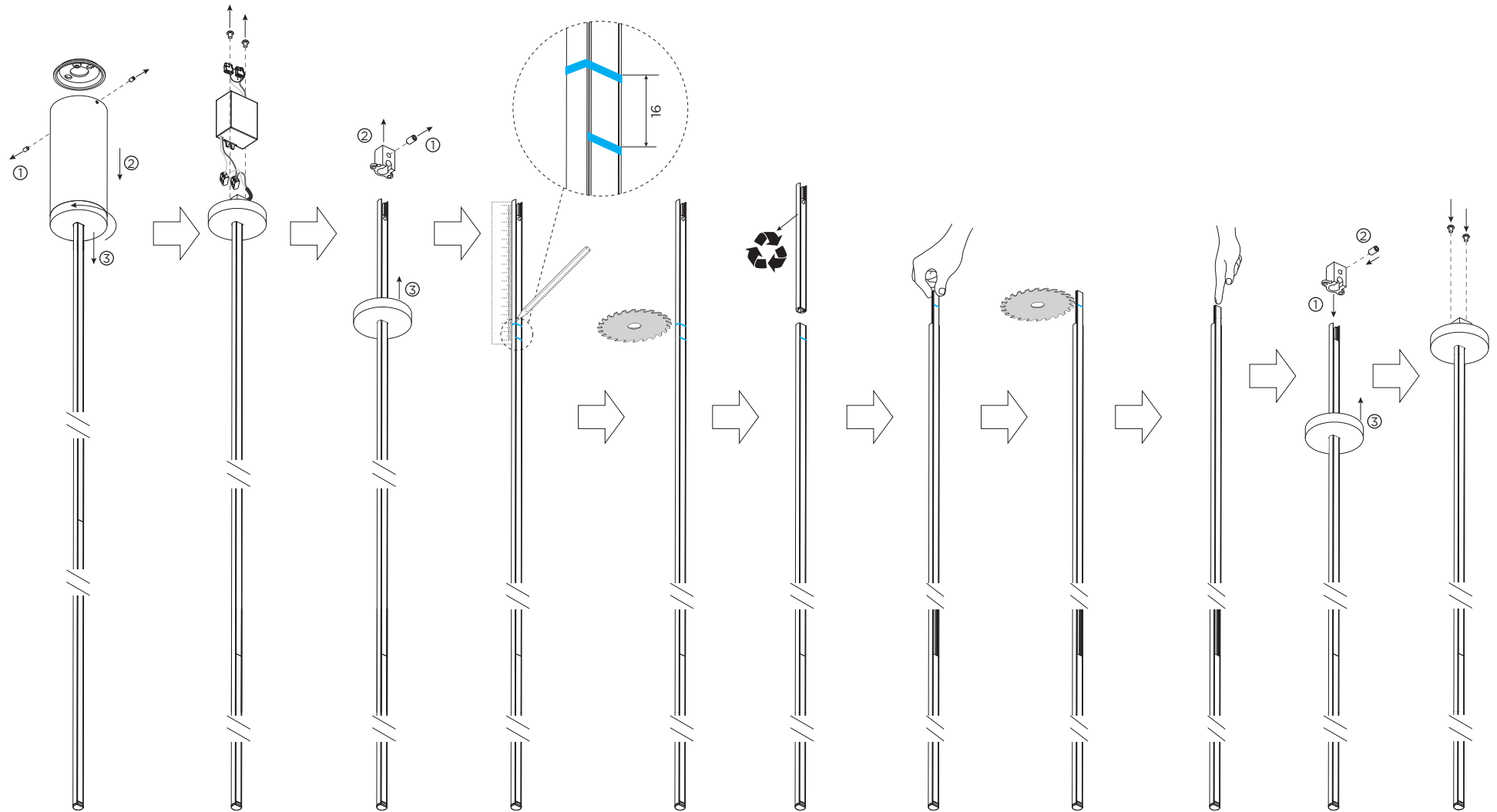
MOUNTING INSTRUCTION

- 1 Remove the mounting base from the luminaire by loosening the socket screws and mount it on the wall with screws (screws are not included).
- 2 **POWER CONNECTION**
Connect to 220-240V.

- 3 Fix the luminaire on the base with the socket screws.
- 4 The length of the profile can be shortened within a certain range, according to the needs of the user. *See page 2 for the details.*

FINLIN CEILING SURFACE

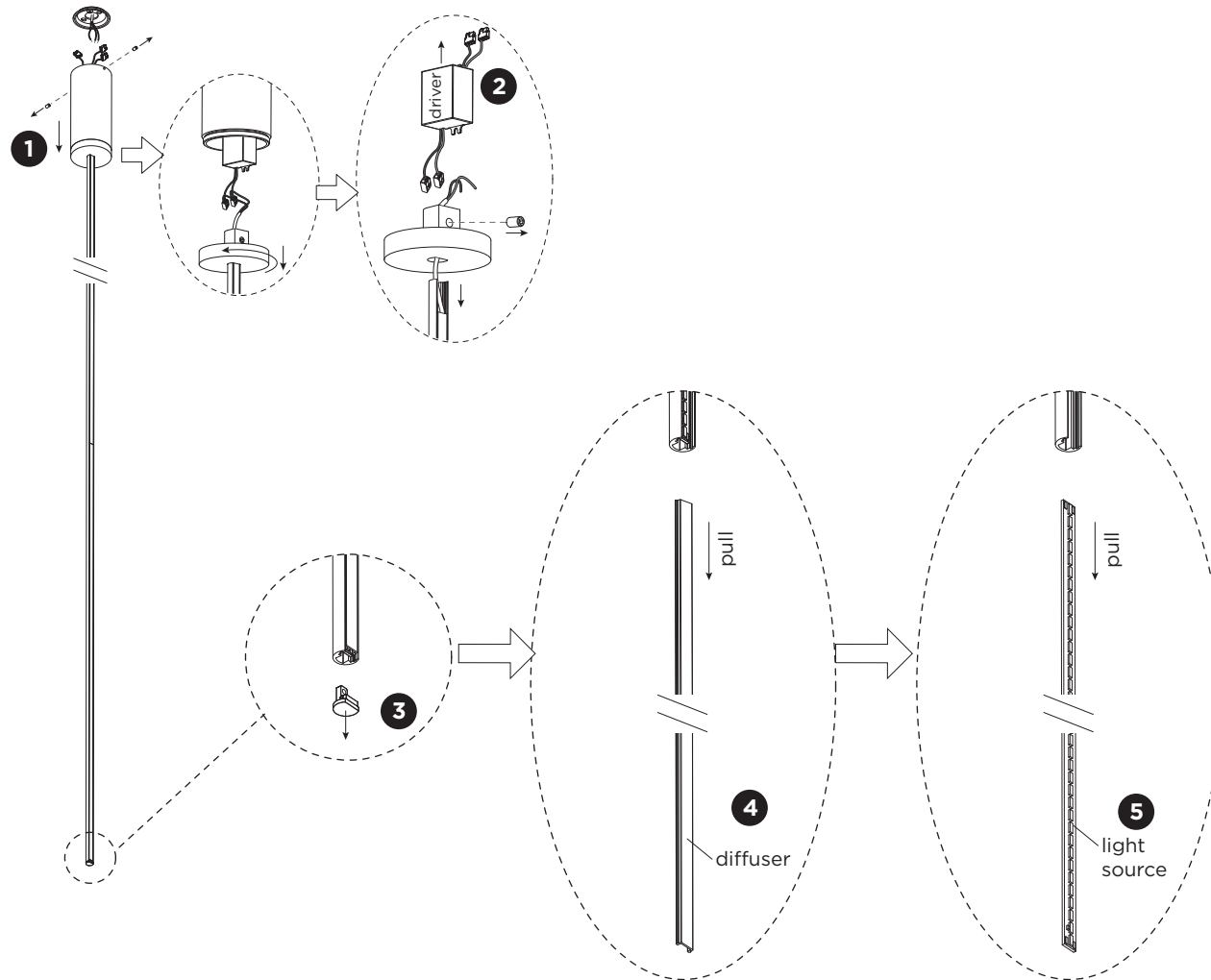
INSTALLATION INSTRUCTIONS | NOVEMBER 2023

How to reduce the length of the lamp holder stick.



FINLIN CEILING SURFACE

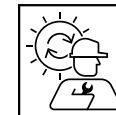
INSTALLATION INSTRUCTIONS | NOVEMBER 2023



DISMOUNTING AND RECYCLING INSTRUCTIONS

Light source & driver

- 1** Loosen the socket screws and wires. Then remove the luminaire from the ceiling base.
- 2** Disconnect the wires and remove the driver.
- 3** Pull out the end cap from the tail end of the luminaire.
- 4** Remove the diffuser.
- 5** Disconnect the wires and remove the light source.



The light source is replaceable by Wever & Ducré or by a professional with explicit authorisation. For more information please contact your local Wever & Ducré customer service point.



The driver can be replaced by the end user.

This luminaire contains a light source with the corresponding energy class:

colour temperature	Energy class
2700K	A ↑ G D
3000K	A ↑ G E



WEVER & DUCRÉ
LIGHTING

WEVER & DUCRÉ BV

Spinnerijstraat 99/21, 8500 Kortrijk, Belgium
weverducre.com