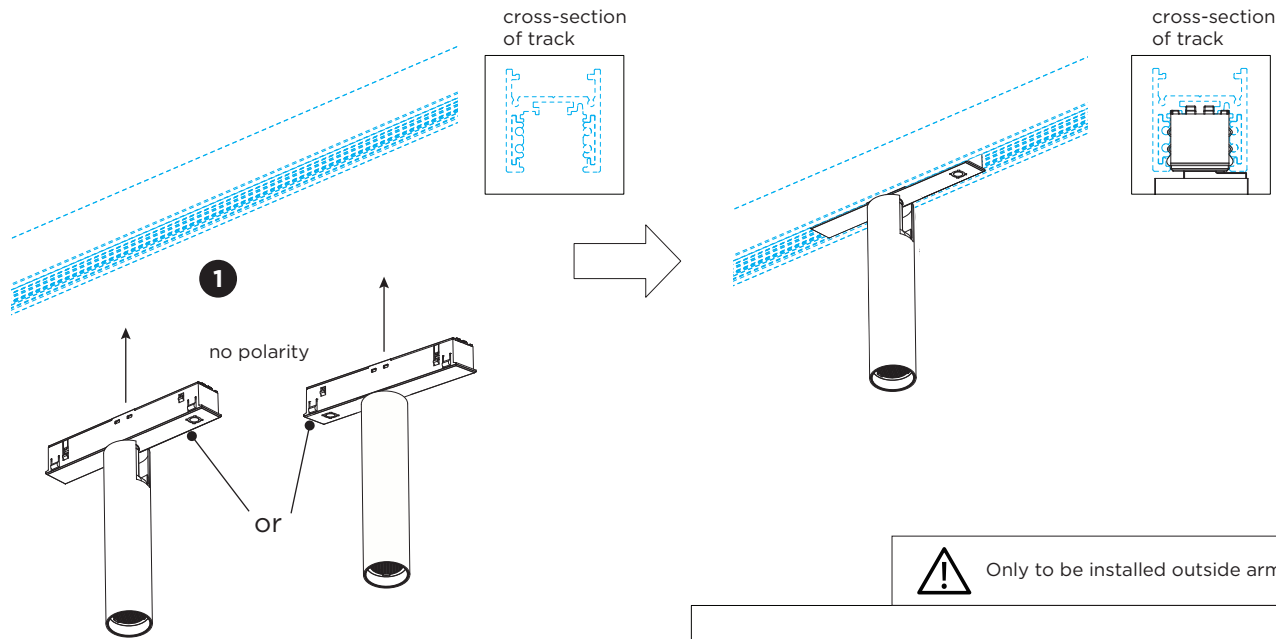
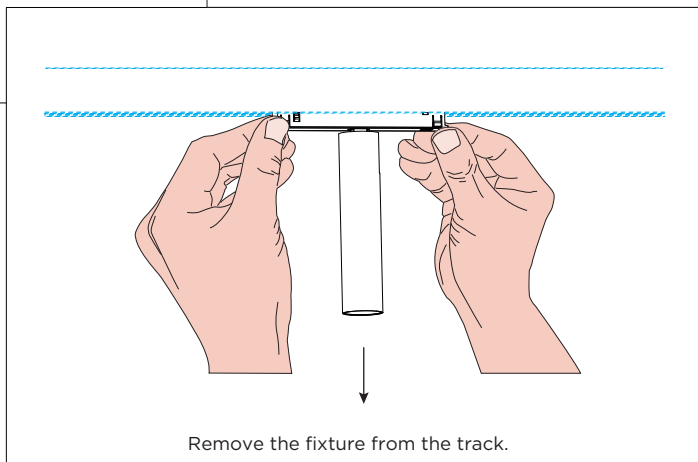
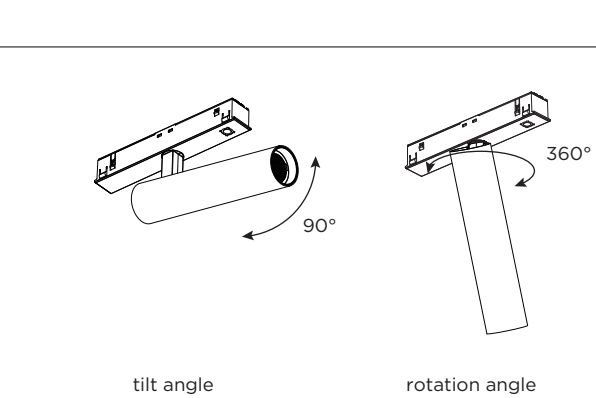


MATCH on track

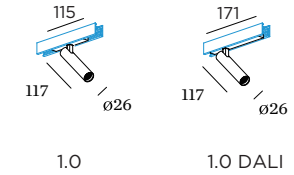
INSTALLATION INSTRUCTIONS | NOVEMBER 2022



Only to be installed outside arms reach.



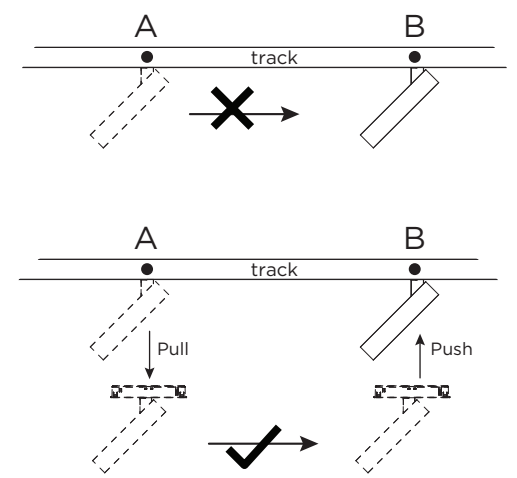
DIMENSIONS



MOUNTING INSTRUCTION

- 1 Push the fixture into the track at the preferred location.

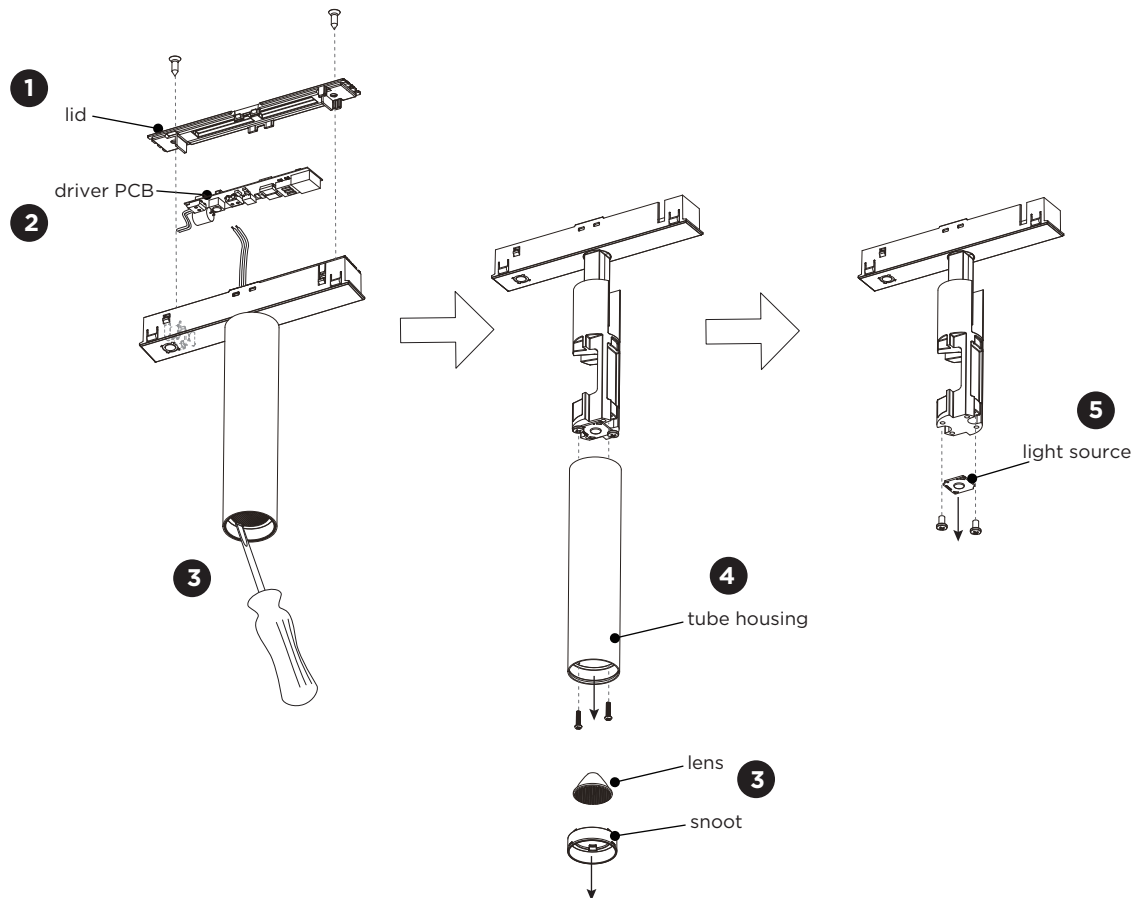
WARNING Note: the fixture is not allowed to slide in the track. If you want to change location of the fixture in the track, please pull the fixture out of the track and install it on the correct position.



PB19-010-795-00_V2

MATCH on track

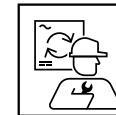
INSTALLATION INSTRUCTIONS | NOVEMBER 2022



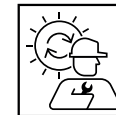
DISMOUNTING AND RECYCLING INSTRUCTIONS

Light source & driver PCB

- 1 Unscrew the top screws and remove the lid.
- 2 Disconnect the wires and remove the driver PCB.
- 3 Pull out the snoot using any available tools and remove the lens.
- 4 Unscrew the screws and remove the tube housing.
- 5 Unscrew the screws and remove the light source.



The driver is replaceable by an authorized professional.
For advice contact your Wever & Ducré customer service contact point.



The light source is replaceable by an authorized professional.
For advice contact your Wever & Ducré customer service contact point.



This luminaire contains a light source with the energy class E.