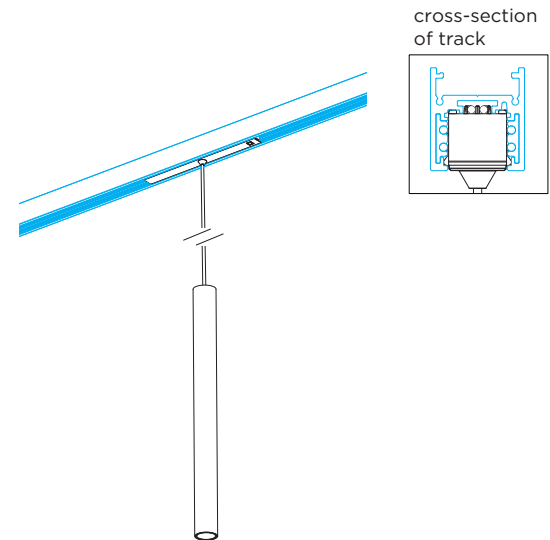
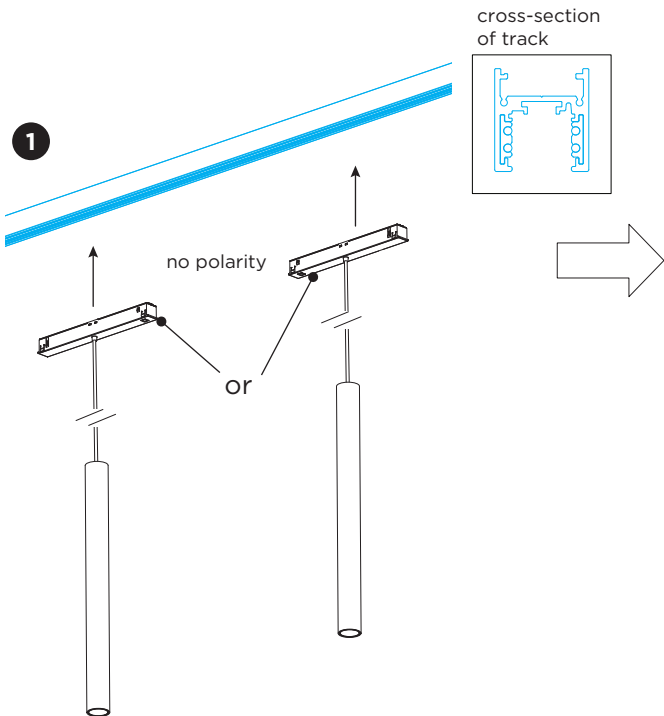
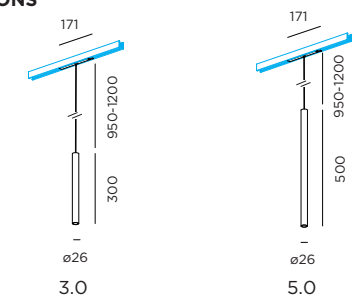


MATCH on STREX

INSTALLATION INSTRUCTIONS | APRIL 2023



DIMENSIONS

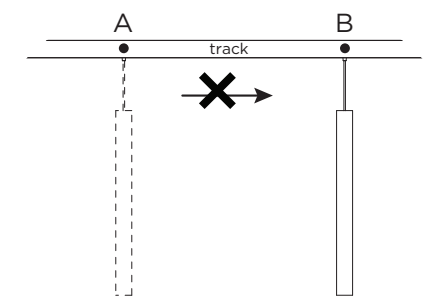
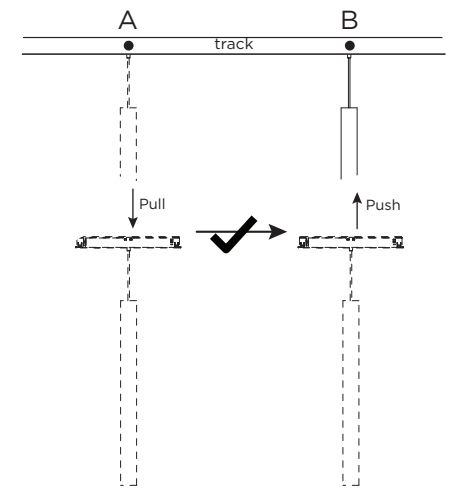


MOUNTING INSTRUCTION

- 1** Push the fixture into the track at the preferred location.



Note: it's not allowed to slide the fixture in the track. If you want to change the location of the fixture in the track, please pull the fixture out of the track and install it on the correct position.



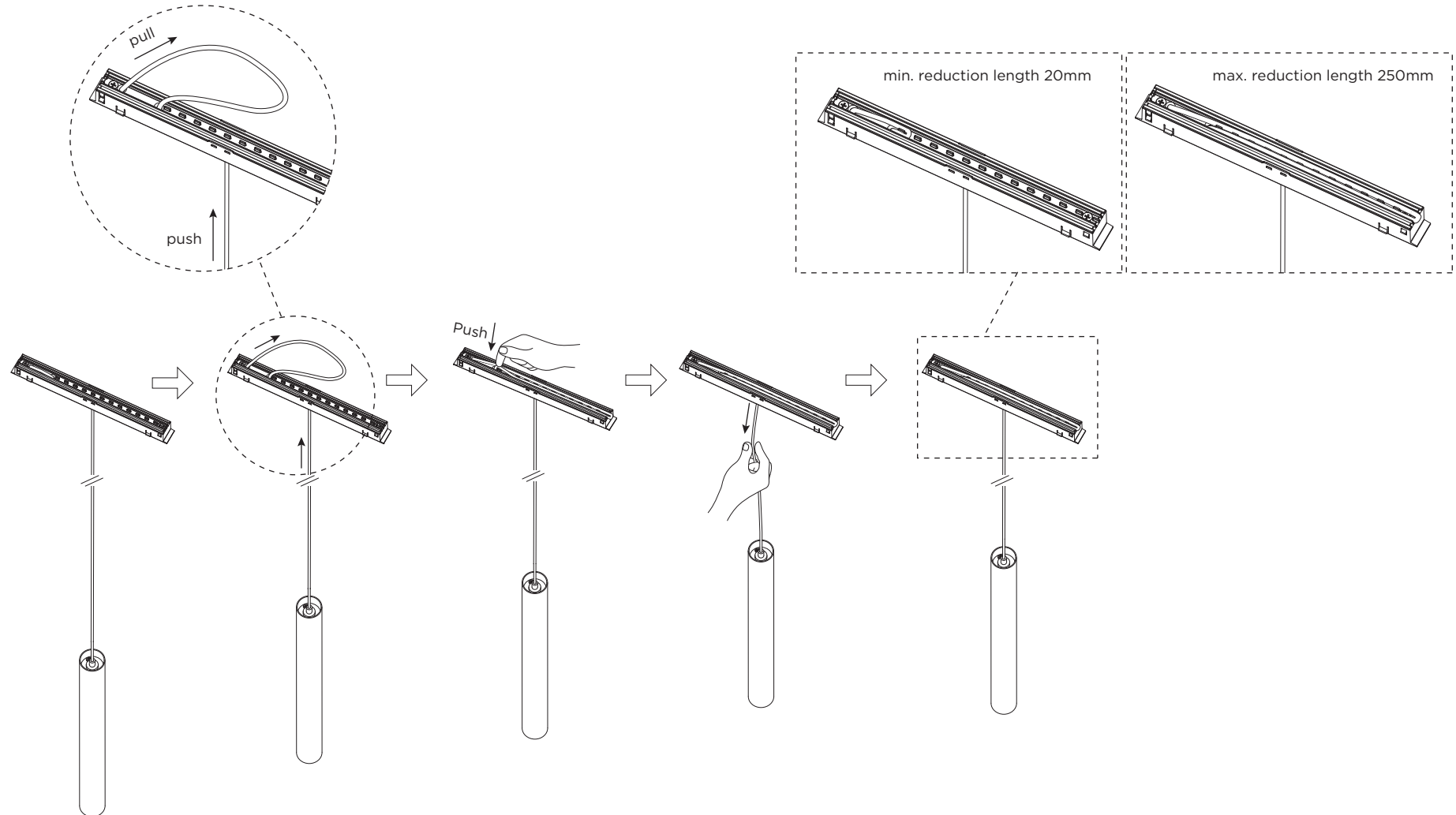
See page 2 for how to shorten the cable.

PB19-010-860-00_v0

MATCH on STREX

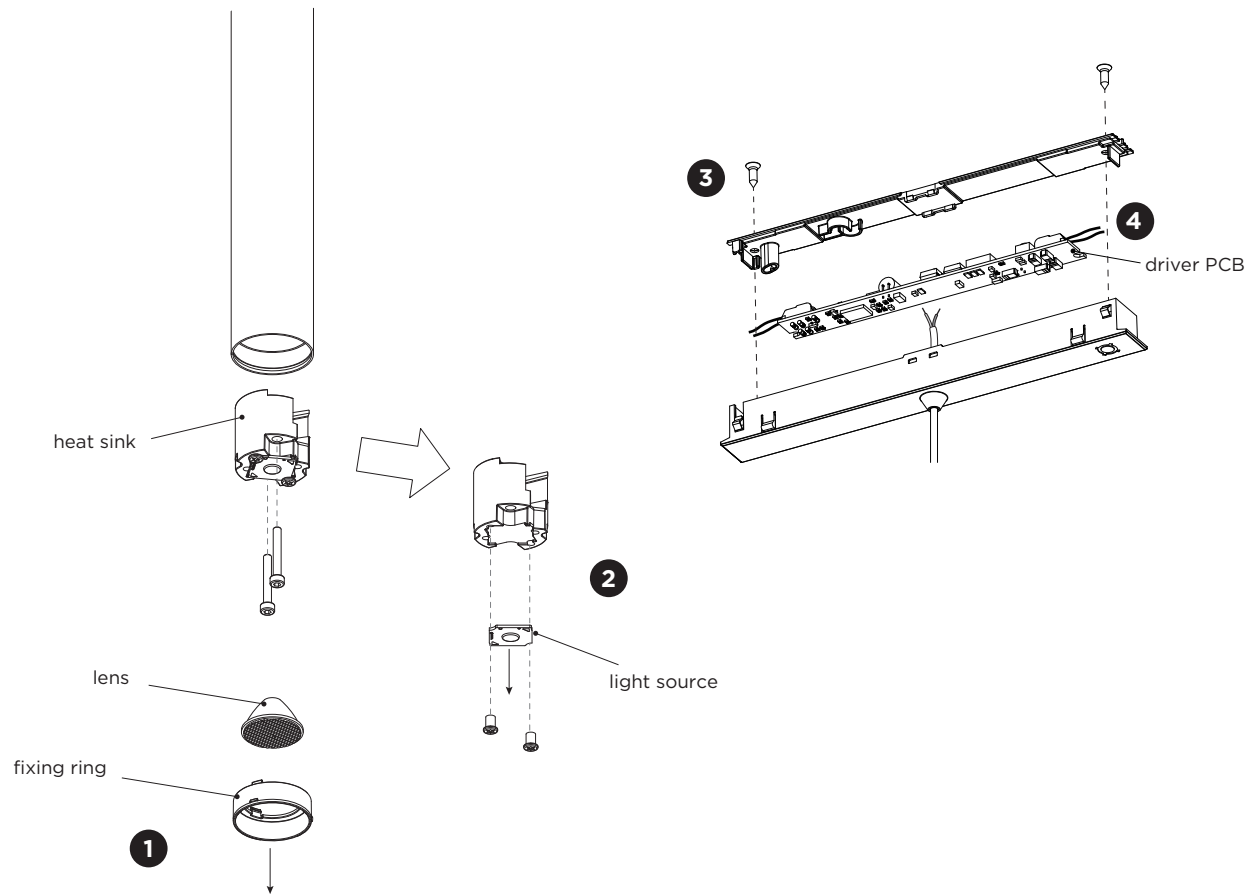
INSTALLATION INSTRUCTIONS | APRIL 2023

Shorten the cable with maximum 250mm:



MATCH on STREX

INSTALLATION INSTRUCTIONS | APRIL 2023



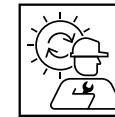
DISMOUNTING AND RECYCLING INSTRUCTIONS

Light source & driver

- 1 Pull out the fixing ring, remove the lens and unscrew the heat sink.
- 2 Unscrew the screws on the heat sink, disconnect the wires and remove the light source.
- 3 Unscrew the top screws and remove the lid.
- 4 Disconnect the wires and remove the driver PCB.



The driver is replaceable by an authorized professional.
For advice contact your Wever & Ducré customer service contact point.



The light source is replaceable by an authorized professional.
For advice contact your Wever & Ducré customer service contact point.



This luminaire contains a light source with the energy class E.