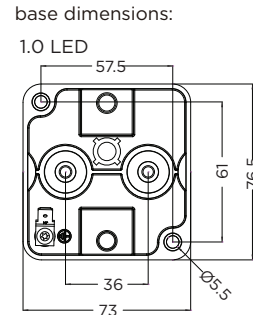
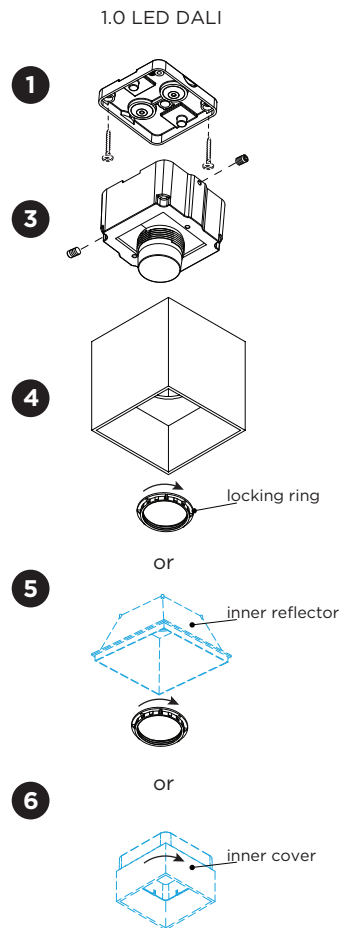
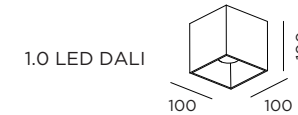


BOX CEILING DALI

INSTALLATION INSTRUCTIONS | NOVEMBER 2022



DIMENSIONS

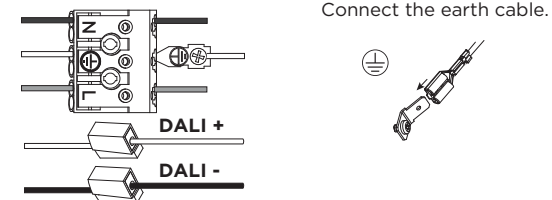


MOUNTING INSTRUCTION

- 1 Remove the mounting base from the LED module by loosening the socket screws and mount it on the ceiling with screws (screws are not included).

2 POWER CONNECTION

Connect to 220-240V and DALI.



- 3 Attach the LED housing on the base by fixing the two socket screws.

- 4 Attach the box cover to the LED housing by screwing the locking ring.

OPTIONAL:

- 5 Inner reflector: attach the reflector to the box cover by screwing the locking ring. with inner reflector: max. 10W.

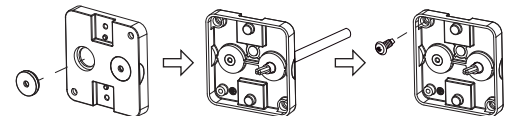
- 6 Inner cover: put the inner cover in the outer cover by screwing with inner cover: max. 10W. (In this case the locking ring is no longer needed.)

grommets overview table:

	A	B	C	D
CABLE				
TYPE	ROUND H05RN-F H07RN8-F H07RN-F	ROUND H05RN-F	ROUND	ROUND
OUTSIDE Ø	min 6.8mm max 8.9mm	min 5mm max 6.8mm	min 1.5mm max 2.6mm	min 1.5mm max 2.6mm
CONDUCTION SECTION	2or3x 0.75mm ² 2or3x 1.0mm ² 2or3x 1.5mm ²	2or3x 0.75mm ² 2x 1.0mm ²	0.75mm ² 1.5mm ²	0.75mm ² 1.5mm ²

Please use a matching grommet based on the used 220-240V cable and the corresponding type in the overview table.

for example:



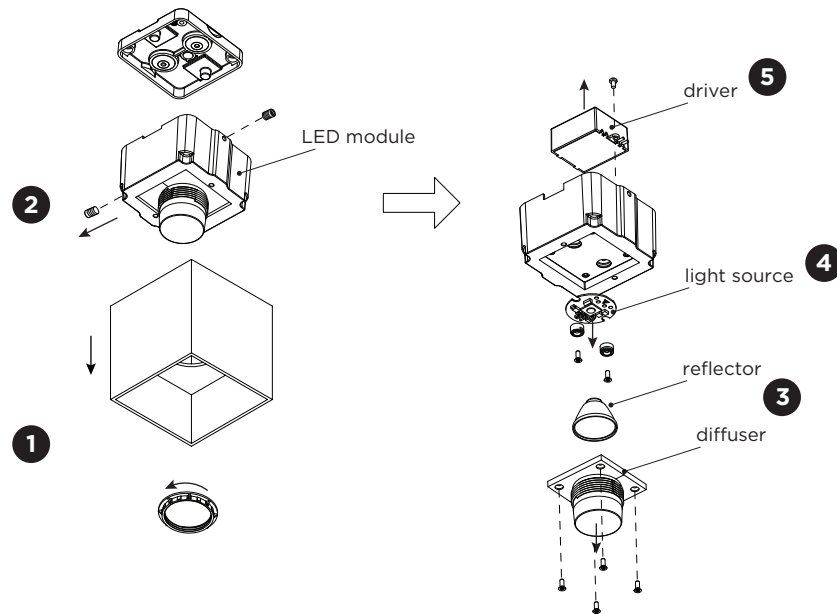
Push the grommet into the back plate.

Pull the cable through the back plate.

Mount the back plate on the wall.

BOX CEILING DALI

INSTALLATION INSTRUCTIONS | NOVEMBER 2022



DISMOUNTING AND RECYCLING INSTRUCTIONS

Light source & driver

- 1** Unscrew the locking ring or inner cover and remove the cover.
- 2** Unscrew the two socket screws and disconnect the power cables to dismount the LED module from the base.
- 3** Loosen the screws and remove the diffuser and reflector.
- 4** Disconnect the wires, loosen the screws and remove the light source.
- 5** Loosen the screw and the driver can now be removed.



The driver can be replaced by the end user.



The light source is replaceable by an authorized professional.
For advice contact your Wever & Ducré customer service contact point.



This luminaire contains a light source with the energy class G.