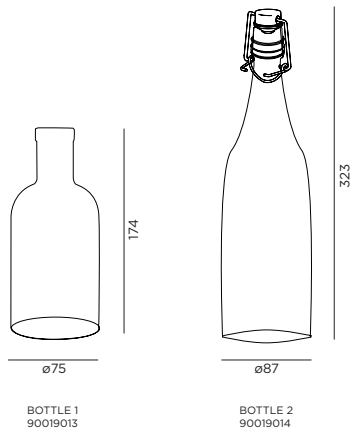
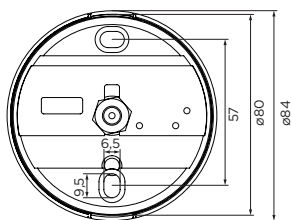


accessories

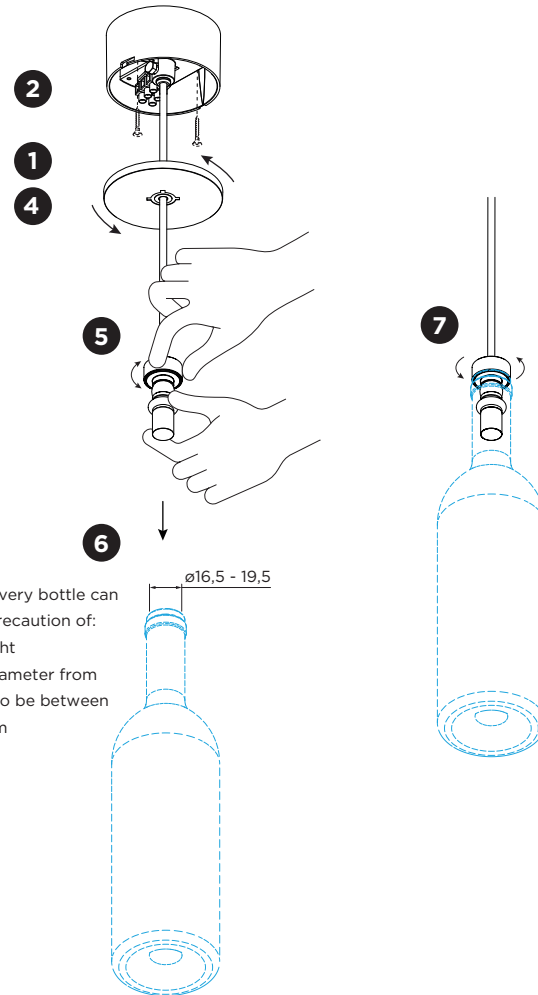


ceiling base dimensions

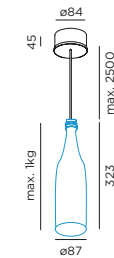


Alternatively, every bottle can be used with precaution of:

- Max. 1kg weight
- Inner collar diameter from the bottle has to be between 16,50 - 19,50mm

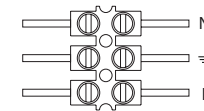


**DIMENSIONS**

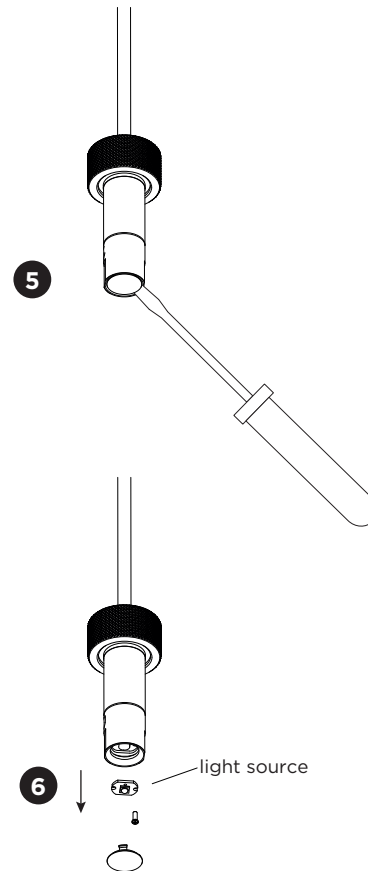
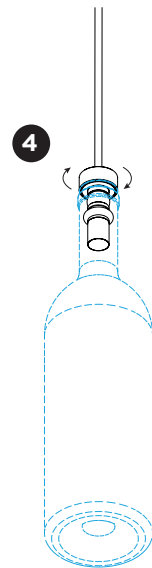
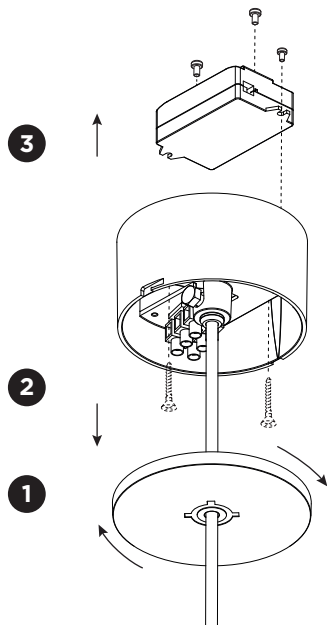


**MOUNTING INSTRUCTION**

- 1 Turn the top cover counterclockwise and pull it down.
- 2 Fix the ceiling base to the ceiling with screws (screws are not included).
- 3 **POWER CONNECTION**  
Connect the power supply.



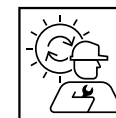
- 4 Close the cover of the ceiling base by turning it clockwise.
- 5 Hold the bottom part (LED side) and turn the top part by hand left or right to adjust the diameter.
- 6 Put the LED module in the bottle (can be ordered separately). Ensure that there is already some friction.
- 7 Turn the top part further clockwise until the bottle is tightly attached.



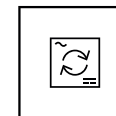
## DISMOUNTING AND RECYCLING INSTRUCTIONS

### Light source & driver

- 1 Remove the cover from the ceiling base by turning it counter-clockwise.
- 2 Unscrew the base from the ceiling and loosen the power cables.
- 3 Loosen the screws and disconnect the wires to remove the driver.
- 4 Loosen the LED module from the bottle by turning the top part counter clockwise.
- 5 Take out the lens by tilting with a small flat screwdriver.
- 6 Unscrew the light source and disconnect the wires to remove the light source.



The light source is replaceable by an authorized professional. For advice contact your Wever & Ducré customer service contact point.



The driver can be replaced by the end user.



This luminaire contains a light source with the energy class F.