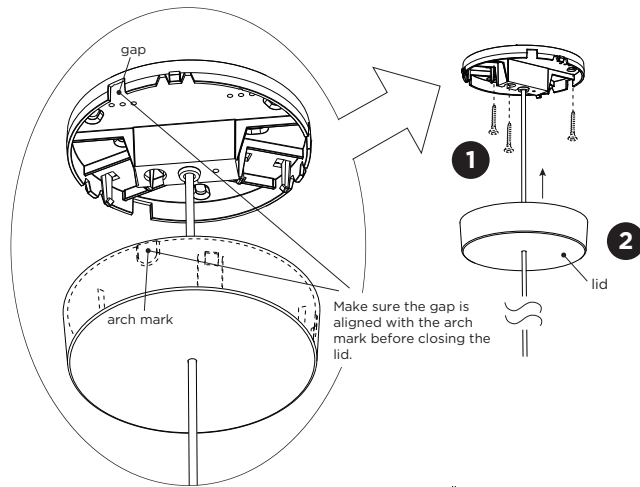
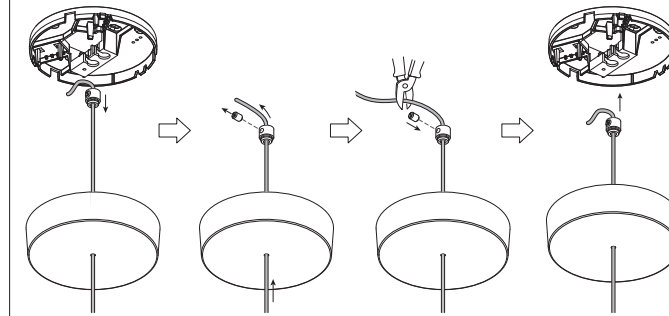


SOLLI COCOON 3.0

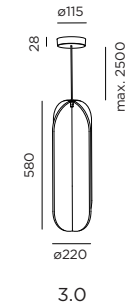
INSTALLATION INSTRUCTIONS | AUGUST 2023



Shorten the cable:



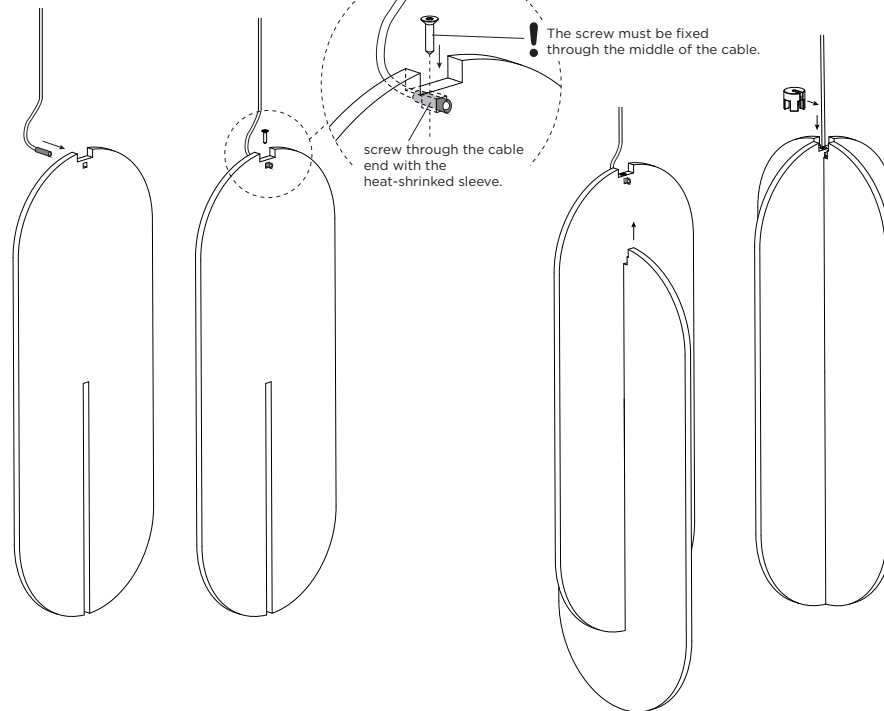
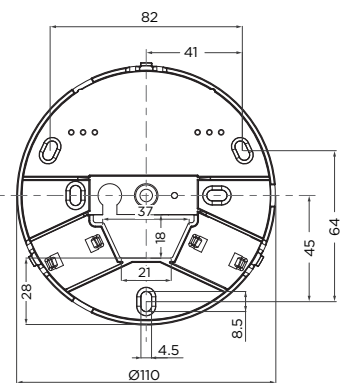
DIMENSIONS



MOUNTING INSTRUCTION

- 1 Remove the lid from the mounting base and mount the base on the ceiling with screws (screws are not included).
- 2 Push the lid on the mounting base until it clicks.
- 3 Insert the cable through the hole in the felt element.
- 4 Screw through the felt and cable.
- 5 Take the second felt element and slide it on the other felt.
- 6 Place the top connector onto the cable and felt elements.

Mounting base:



WEVER & DUCRÉ
LIGHTING

WEVER & DUCRÉ BV
Spinnerijstraat 99/21, 8500 Kortrijk, Belgium
weverducre.com