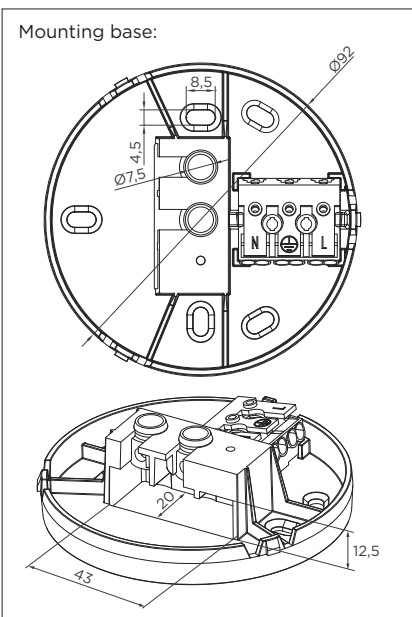
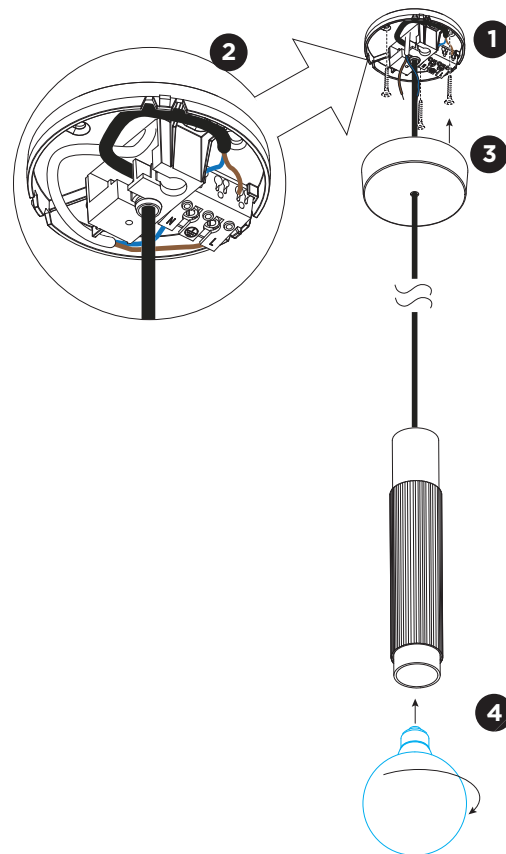
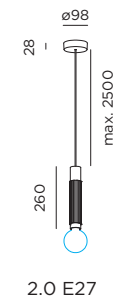


TRACE CEILING SUSPENDED 2.0

INSTALLATION INSTRUCTIONS | MAY 2023



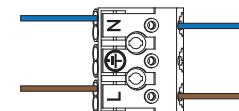
DIMENSIONS



MOUNTING INSTRUCTION

1 Remove the cover from the mounting base by pulling and mount the base on the ceiling with screws (screws are not included).

2 **POWER CONNECTION**
Connect to 220-240V.



3 Push the cover on the mounting base until it clicks.

4 Mount the bulb.