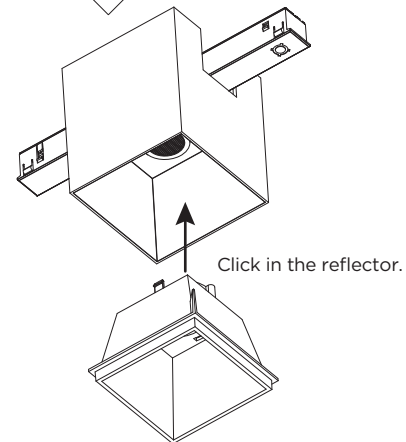
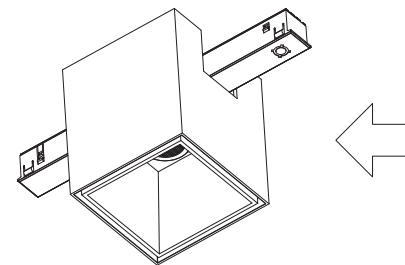
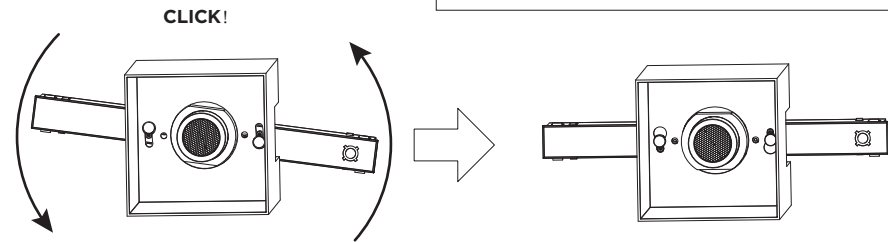
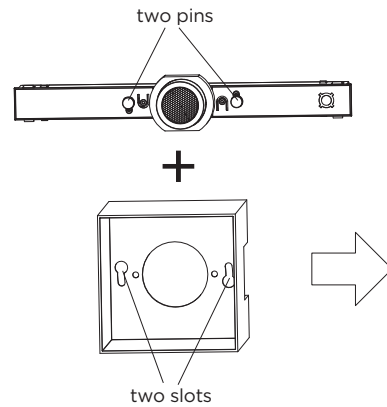
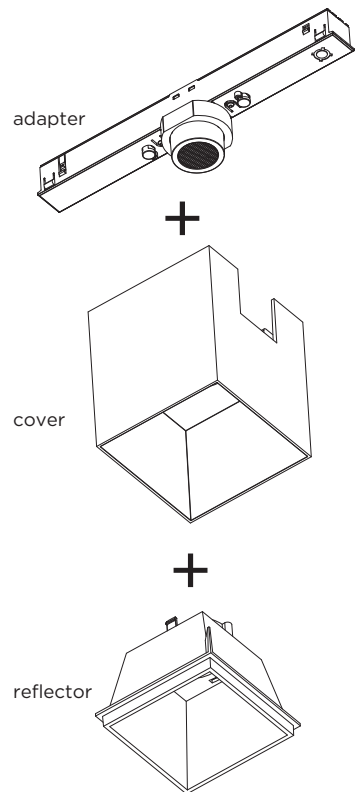


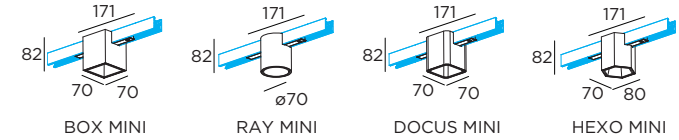
BOX, RAY, DOCUS, HEXO MINI on track

INSTALLATION INSTRUCTIONS | FEBRUARY 2023

Assembly of the fixture.



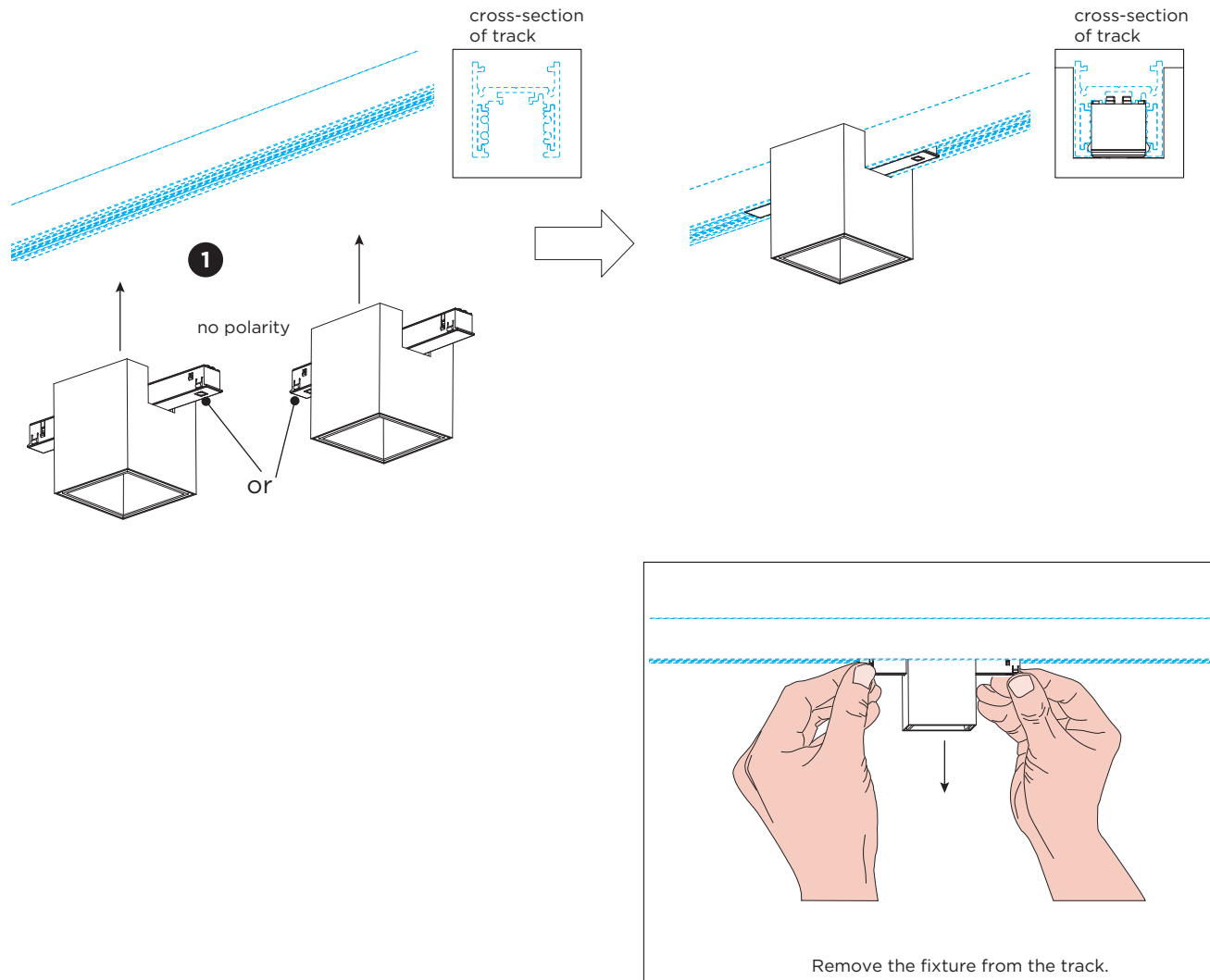
DIMENSIONS



For mounting the fixture into the track, please see page 2.

BOX, RAY, DOCUS, HEXO MINI on track

INSTALLATION INSTRUCTIONS | FEBRUARY 2023

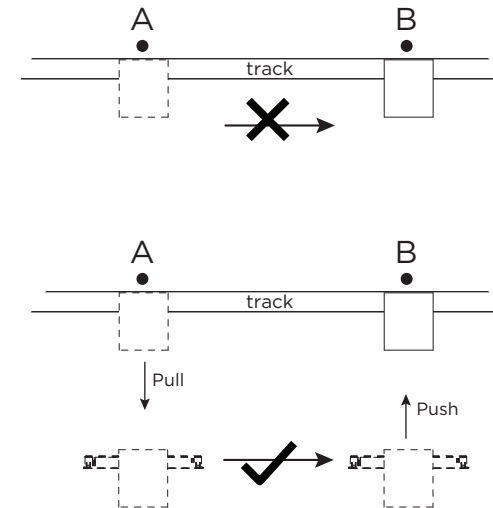


MOUNTING INSTRUCTION

- 1 Push the fixture into the track at the preferred location.

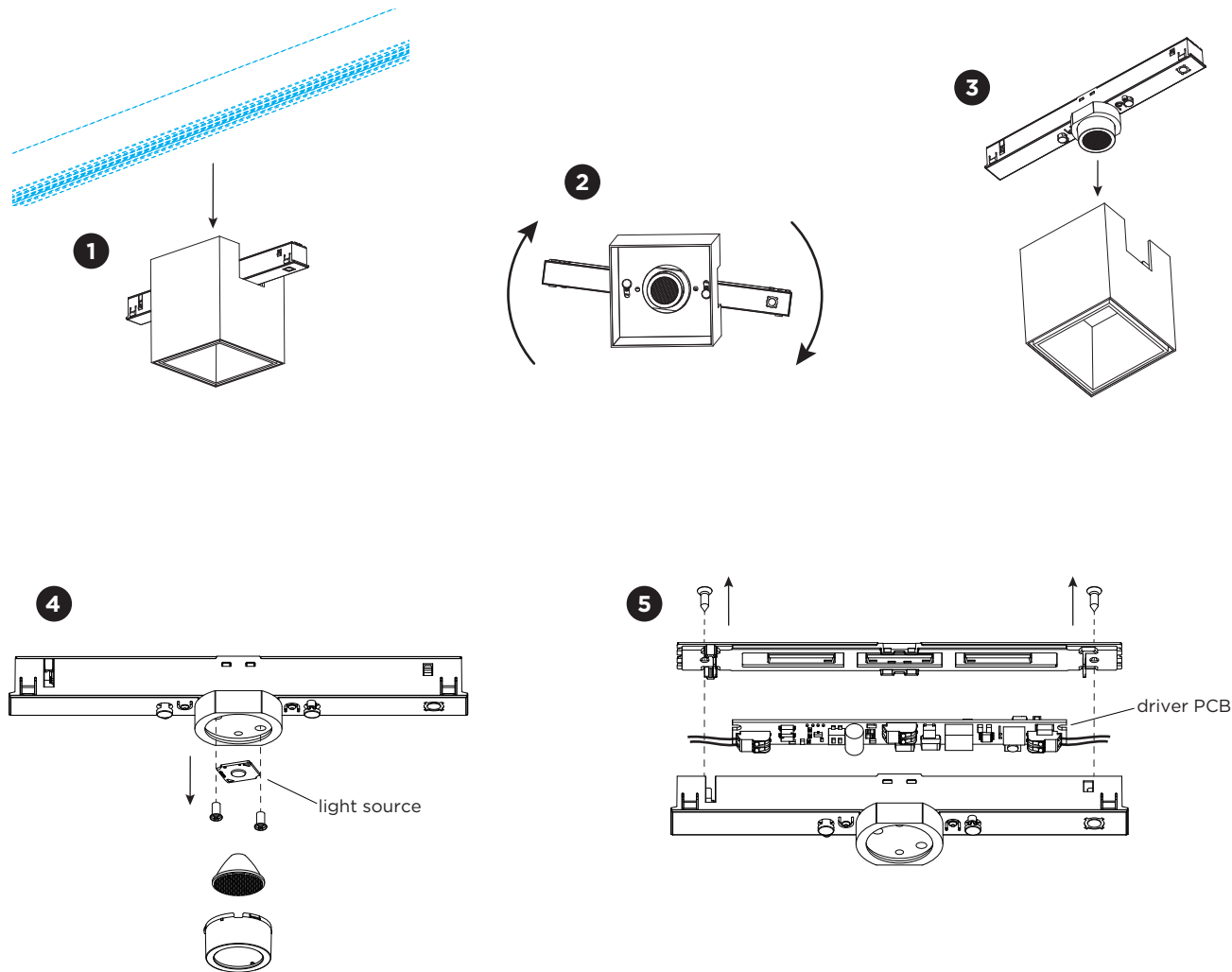


Note: it is not allowed to slide the fixture in the track. If you want to change the location of the fixture in the track, please pull the fixture out of the track and install it on the correct position.



BOX, RAY, DOCUS, HEXO MINI on track

INSTALLATION INSTRUCTIONS | FEBRUARY 2023



DISMOUNTING AND RECYCLING INSTRUCTIONS

Light source & driver

- 1 Take the luminaire out of the track.
- 2 Rotate the adapter to loosen the housing.
- 3 Remove the housing.
- 4 Take the components out and loosen the screws and wires to remove the light source.
- 5 Unscrew the back cover and loosen the wires to remove the driver PCB.



The light source is replaceable by an authorized professional.
For advice contact your Wever & Ducré customer service contact point.



The driver is replaceable by an authorized professional.
For advice contact your Wever & Ducré customer service contact point.



This luminaire contains a light source with the energy class E.