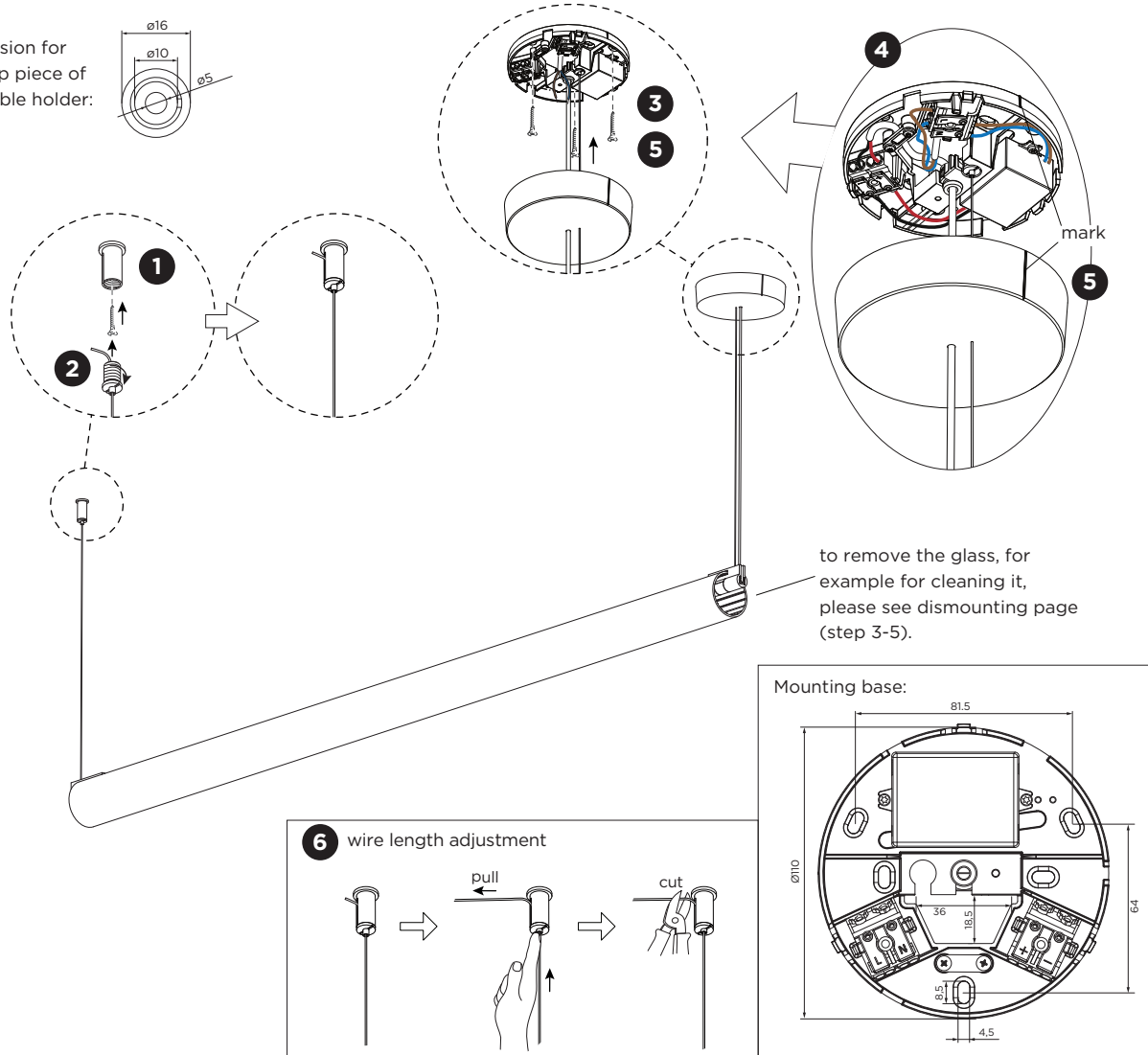
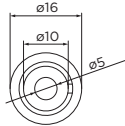


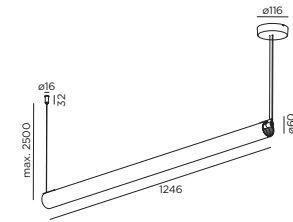
# FINELLE

INSTALLATION INSTRUCTIONS | FEBRUARY 2024

dimension for  
the top piece of  
the cable holder:

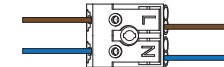


## DIMENSIONS



## MOUNTING INSTRUCTION

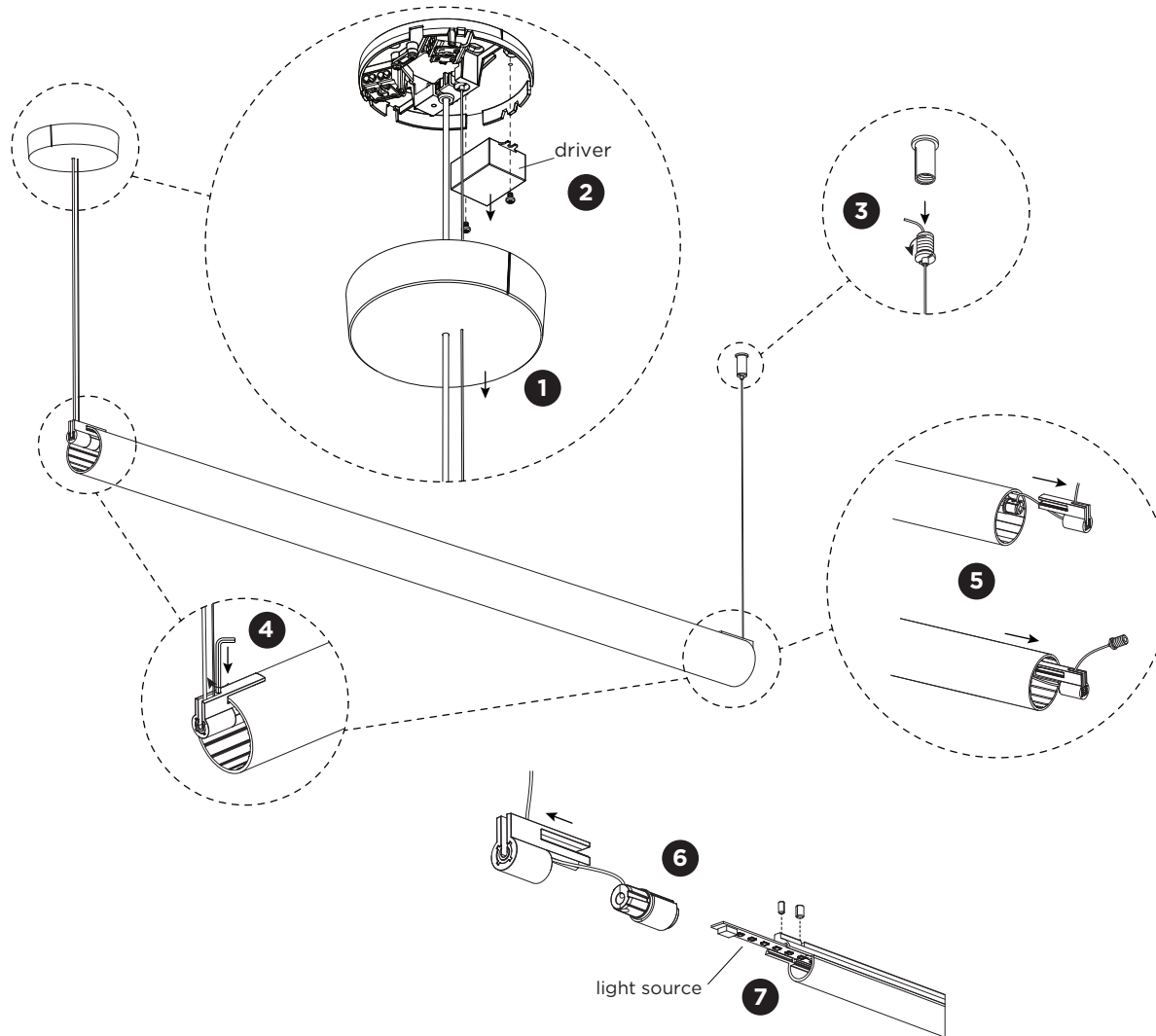
- 1 Screw out the top pieces of the cable holders and fix them on the ceiling with screws (screws are not included).
- 2 Screw the cable holders back to the top piece.
- 3 Remove the cover of the mounting base by pulling and mount the base on the ceiling with screws (screws are not included).
- 4 **POWER CONNECTION**  
Connect to 220-240V.



- 5 Align the marks on both of the mounting base and the cover. Push the cover on the mounting base until it clicks.
- 6 Adjust the wire to the required length.

# FINELLE

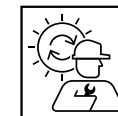
INSTALLATION INSTRUCTIONS | FEBRUARY 2024



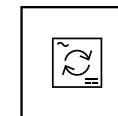
## DISMOUNTING AND RECYCLING INSTRUCTIONS

Light source & driver

- 1 Pull down the cover from the mounting base.
- 2 Disconnect the wires and unscrew the driver to remove it.
- 3 Unscrew the cable holder from the top piece.
- 4 Screw the socket screw into the glass clip on both sides.
- 5 Pull off the glass clip and pass all the parts through the inside of the glass to remove the glass.
- 6 Pull off the glass clip on the other side and unscrew the socket screws to remove the cover.
- 7 Disconnect the wires and slide out the light source to remove the light source.



The light source is replaceable by Wever & Ducré or by a professional with explicit authorisation. For more information please contact your local Wever & Ducré customer service point.



The driver can be replaced by the end user.



This luminaire contains a light source with the energy class E.