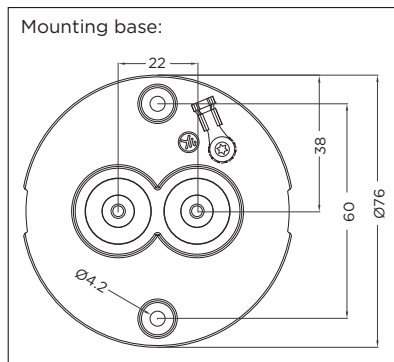
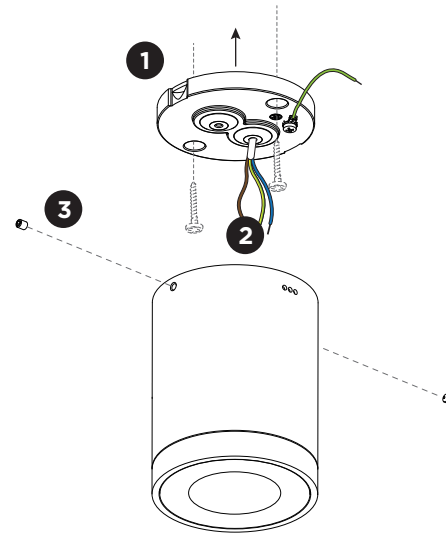
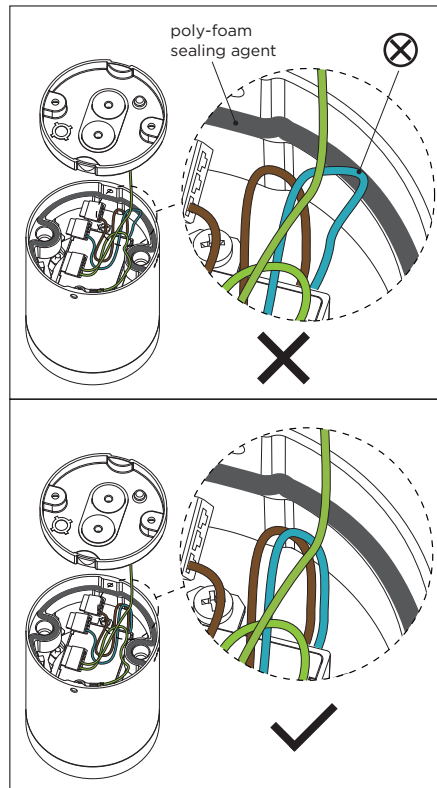


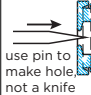
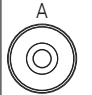
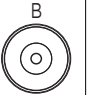
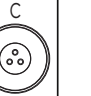



TUBE ceiling LED

INSTALLATION INSTRUCTIONS | AUGUST 2023

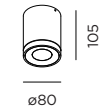
When installing, please make sure to place the wires and connectors in the surrounding circle of poly-foam sealing agent to prevent possible risks for water infiltration.



Always use a matching grommet in the overview table.

	A	B	C
 use pin to make hole not a knife			
CABLE			
TYPE	ROUND H05RN-F H07RN8-F H07RN-F	ROUND H05RN-F	ROUND
OUTSIDE Ø	min 6.8mm max 8.9mm	min 5mm max 6.8mm	min 1.5mm max 2.6mm
CONDUCTION SECTION	2or3x 0.75mm ² 2or3x 1.0mm ² 2or3x 1.5mm ²	2or3x 0.75mm ² 2x 1.0mm ²	0.75mm ² 1.5mm ²

DIMENSIONS

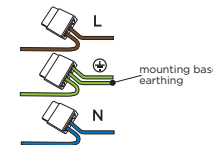


1.0 LED

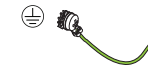
MOUNTING INSTRUCTION

1 Remove the mounting base by loosening the socket screws and fix it to the ceiling with screws (screws are not included).

2 POWER CONNECTION
Connect to 220-240V.

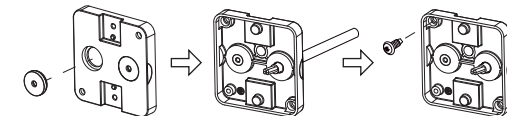


Connect the earth cable.



Always use a matching grommet based on the used 220-240V cable and the corresponding type in the overview table.

for example:



Push the grommet into the back plate.

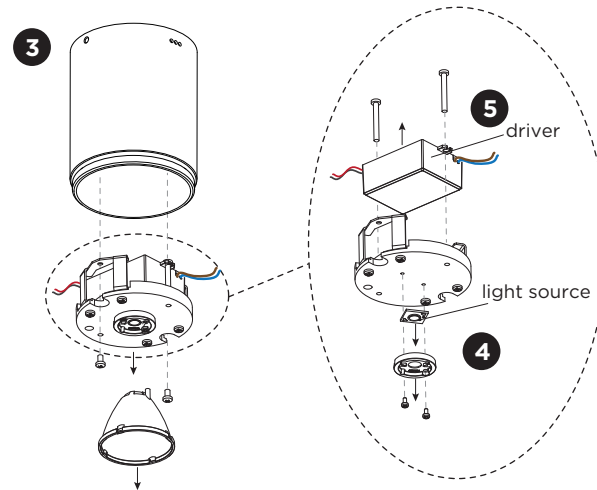
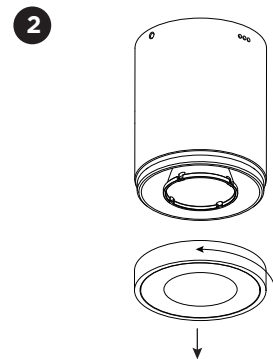
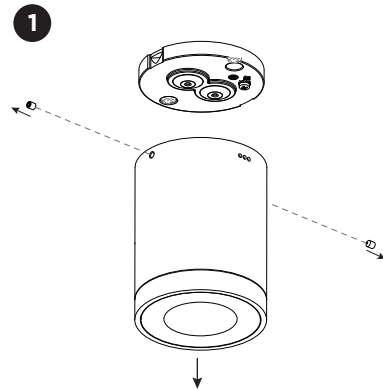
Pull the cable through the back plate.

Mount the back plate on the wall.

3 Fix the fixture to the mounting base with the socket screws.

TUBE ceiling LED

INSTALLATION INSTRUCTIONS | AUGUST 2023



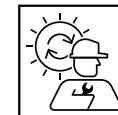
DISMOUNTING AND RECYCLING INSTRUCTIONS

Light source & driver

- 1 Dismount the fixture from the ceiling by loosening the socket screws and the wiring.
- 2 Turn the cover counter clockwise and remove it.
- 3 Remove the reflector, loosen the wires and screws to remove the driver and LED assembly.
- 4 Unscrew the holder to remove the light source.
- 5 Unscrew and remove the driver.



The driver is replaceable by an authorized professional.
For advice contact your Wever & Ducré customer service contact point.



The light source is replaceable by an authorized professional.
For advice contact your Wever & Ducré customer service contact point.



This luminaire contains a light source with the energy class F.