

BLAS

16-Jul.-2019

1.0

LED 8W | 220-240VAC | PCB 3-step | incl.PS | phase-cut dim

CE IP65 0.3-D

3000K | >80 CRI | 640lm

white texture
dark grey texture
black texture

736187W4

736187D4

736187B4

2.0

LED 8W | 220-240VAC | PCB 3-step | incl.PS | phase-cut dim

CE IP65 0.3-D

3000K | >80 CRI | 640lm

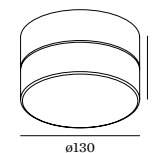
white texture
dark grey texture
black texture

736287W4

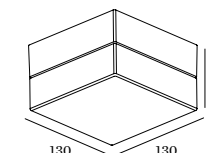
736287D4

736287B4

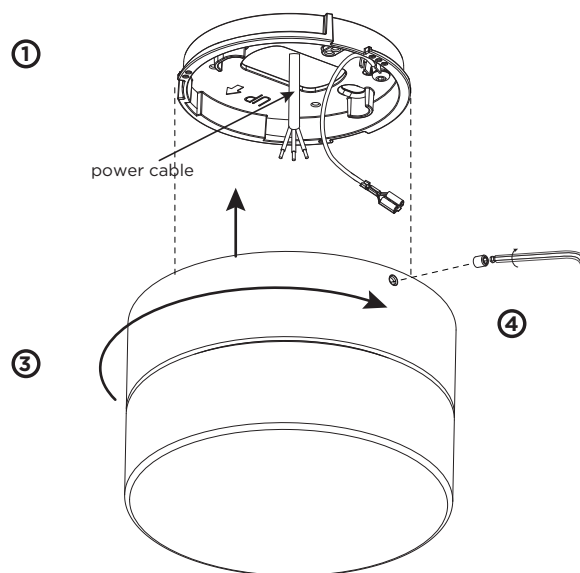
DIMENSIONS



BLAS 1.0



BLAS 2.0

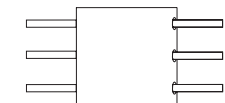


MOUNTING INSTRUCTION

- 1 Remove the mounting base from the BLAS and mount it on the surface with screws.

POWER CONNECTION

- 2 connection: STANDARD version



Mounting base earthing plug:



- 3 Mount the luminaire on the base by gently rotating.
Note: grip the metal part of luminaire when mounting. Do not rotate the glass part.
- 4 Lock the luminaire on the base with the socket screw.

Mounting base:
for wall + ceiling

